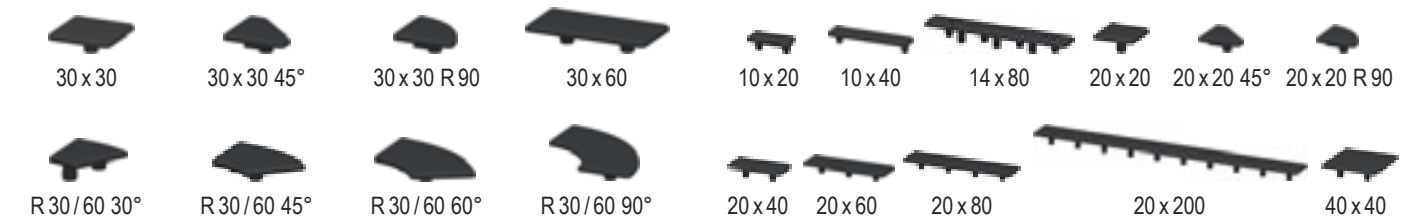


Profile Caps 40



Profile Caps 30

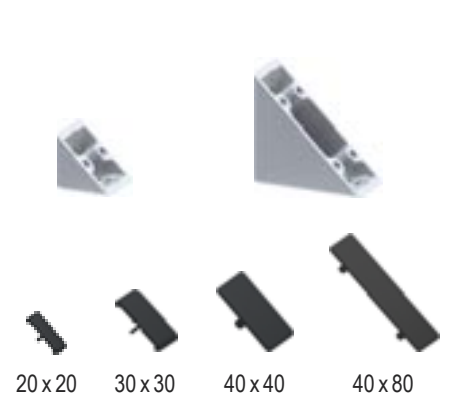
Profile Caps 20



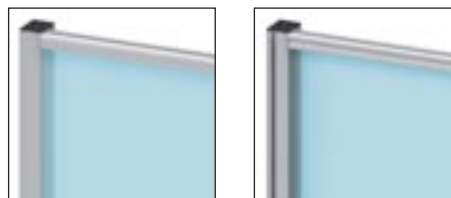
Inch Profile Caps

Corner Fastener Caps 40 x 40

Wiring Duct Caps



Corner Bracket Caps



Protection Wall  
Support Leg Cap 60 x 80



SV Drilling Cap



40 x 80



40 x 120



40 x 160



40 x 200



R 40 x 80 90°

**Foot Plates 40, zinc-plated**



80 x 80



80 x 80 Eck 7N



80 x 120



80 x 160



80 x 200

**Foot Plates 80, zinc-plated**



120 x 120



120 x 160



30 x 60 midi



60 x 60 midi



20 x 40 mini



40 x 40 mini

**Foot Plates 120, zinc-plated**

**Foot Plates midi, zinc-plated**

**Foot Plates mini, zinc-plated**



120 x 160 Ø9



160 x 240 Ø9

**System Plates, zinc-plated**



Double Castors Ø75 (braked)



Castor Ø75



Castor Ø125



Castors Ø75 (braked)



Castors Ø125 (braked)



Castors Ø50 (braked)

**Castors**



Adjustable Feet Ø29



Adjustable Feet Ø39



Adjustable Feet Ø54



Adjustable Feet Ø79



Adjustable Feet Ø79, with anti-vibration pad



Adjustable Feet Ø79, with fixing holes



Adjustable Feet Ø79, with fixing holes, anti-vibration pad



M 16/L 94

M 16/L 165

Adjustable Feet Ø 136, with fixing holes



Angle Feet

Angle Feet, adjustable

Angle Feet 60 x 120



M 16/L 95

M 20/L 95



M 16/L 166

M 20/L 166

Adjustable Feet Ø 136, with fixing holes, anti-vibration pad



Clamping Feet 40x40, 60x80, 80x80



Mounting Foot 80 x 80

Mounting Foot 60 x 80

Metal Foot

Mounting Feet



M 16/L 95

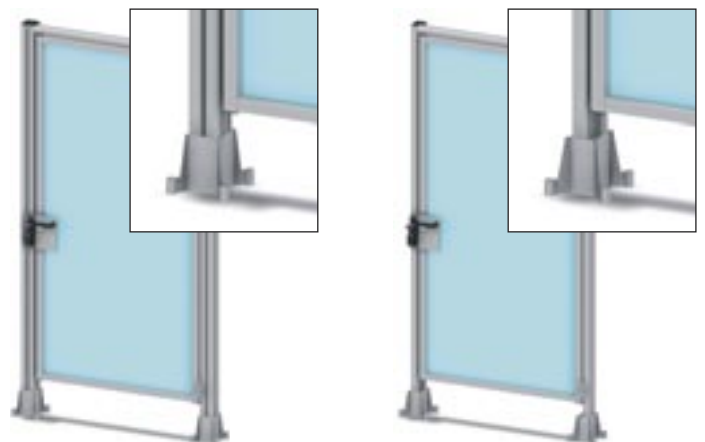
M 20/L 95



M 16/L 166

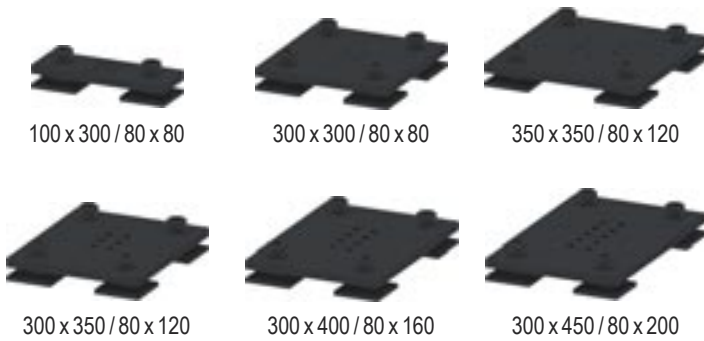
M 20/L 166

Adjustable Feet Ø 136 steel, with fixing holes, anti-vibration pad

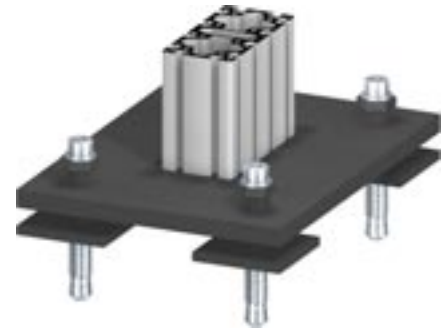
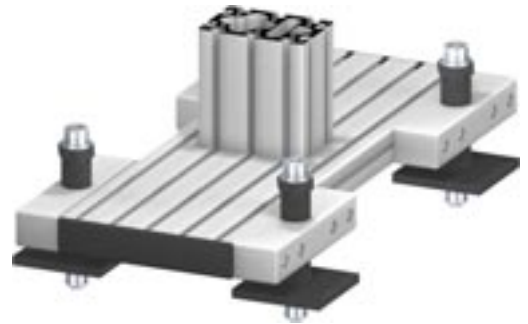




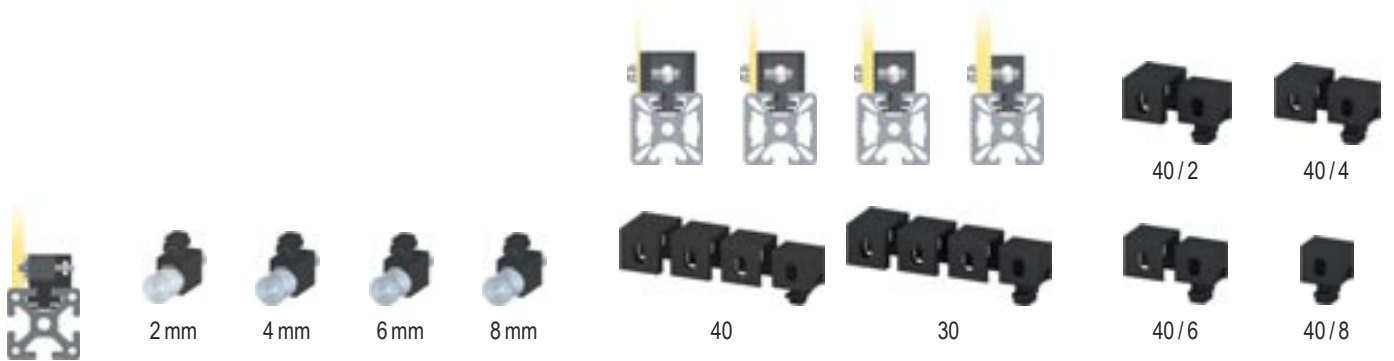
**Floor Fixing Elements**



**Portal Plates**



Foot Plate, with four adjustable feet Ø 39



**Magnetic Catch Plates**

**Fixing Blocks vario**

**Fixing Blocks**



Handle AI / L 147

Handle AI 55°

Handle PA

Handle AI / L 700

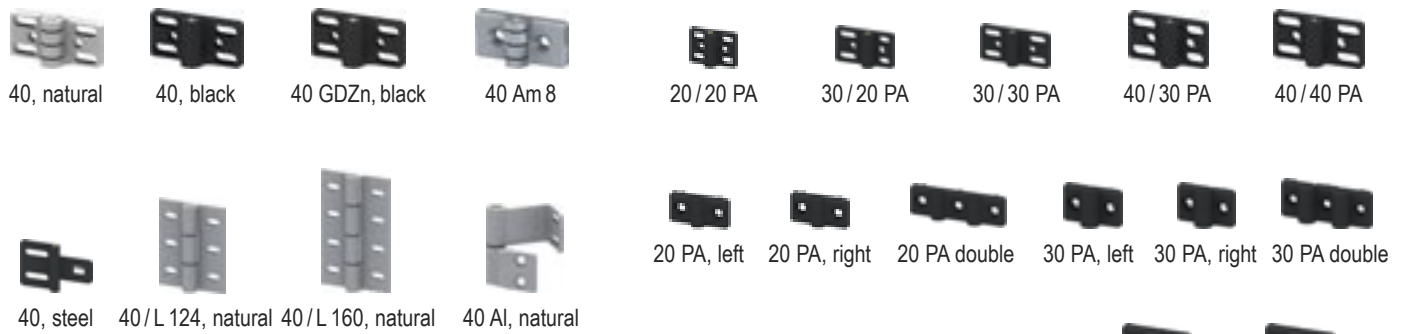
Handle light

Protection Wall handle

**Handles**



**Adjusting Elements**



40, natural

40, black

40 GDZn, black

40 Am 8

20 / 20 PA

30 / 20 PA

30 / 30 PA

40 / 30 PA

40 / 40 PA

40, steel

40 / L 124, natural

40 / L 160, natural

40 Al, natural

20 PA, left

20 PA, right

20 PA double

30 PA, left

30 PA, right

30 PA double

32 PA, left

32 PA, right

32 PA double

48 PA, left

48 PA, right

**Hinges 40**

**Hinges PA**



Hinge 30, natural

Hinge 30 VA



40 PA

40, natural

40, black

40 SVPS, black

40 SVPS, natural



40 V Fastener LH, black

40 V Fastener RH, black

40 U, black

**Hangers 40**

**Hangers 40 SVPS**

**Hangers 40 VU**



30, black

30, natural



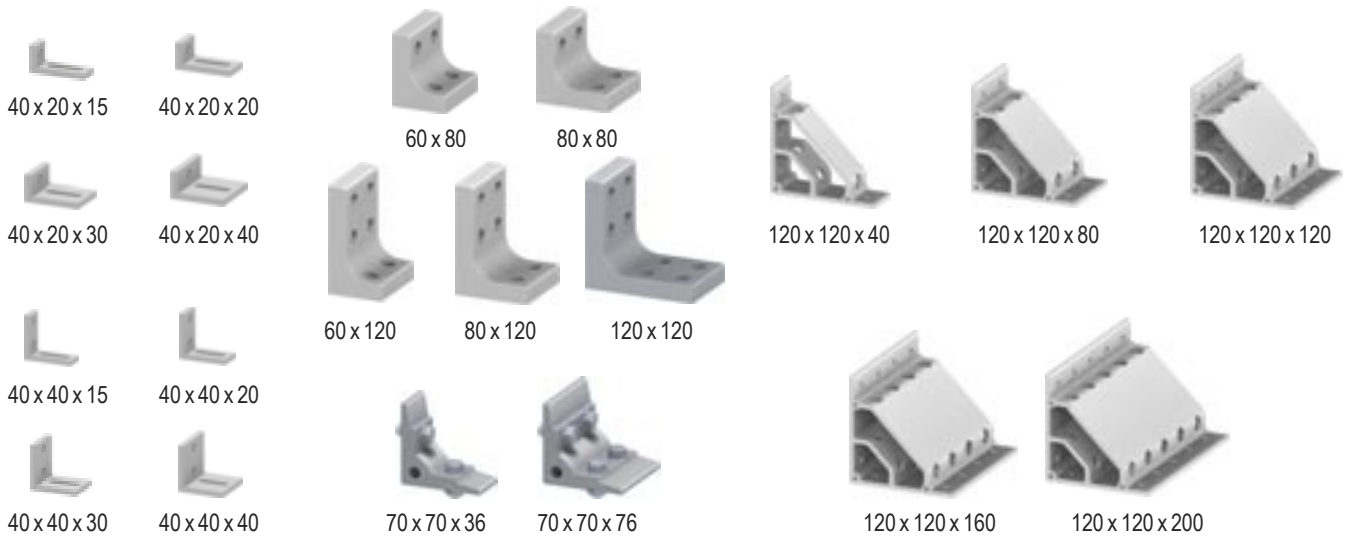
20, black

20, natural

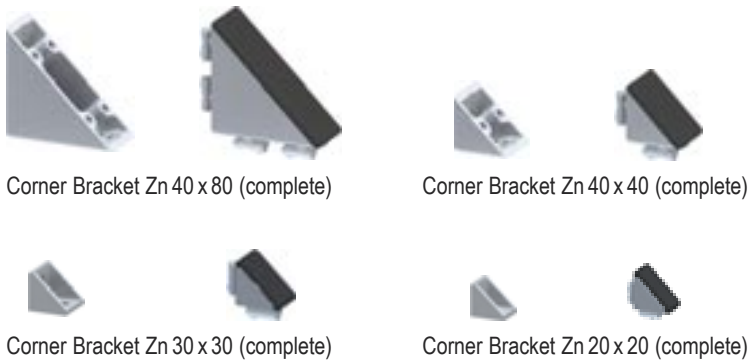
**Hangers 30**

**Hangers 20**





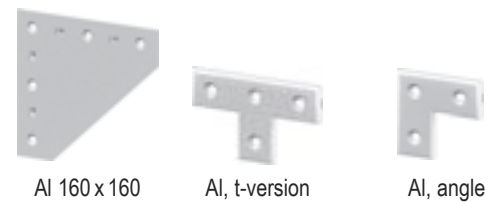
**Fixing Angles**



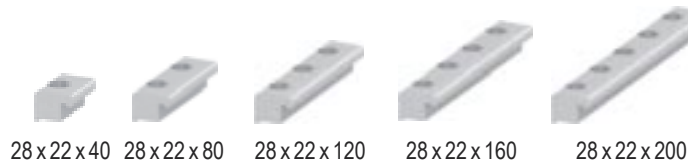
**Corner brackets Zn**



**Round Corners**



**Gusset Plates**



**Clamp Angles**





**Corner Fasteners 40 x 40**

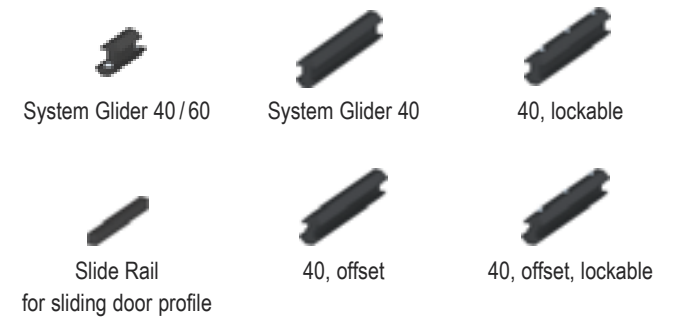
**Heavy Duty Joints**



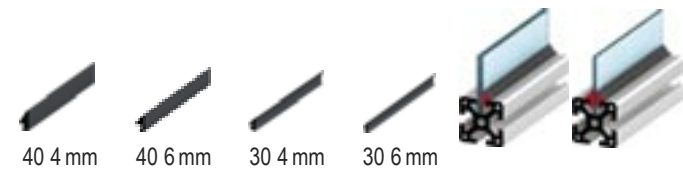
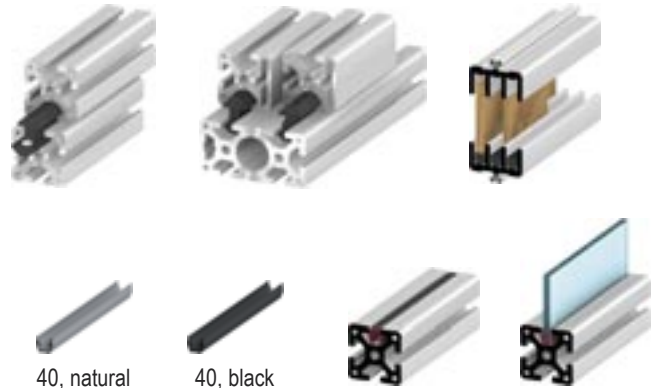
**Rollers, POM**

**Roller Housings**

**Load Bearing Rollers**

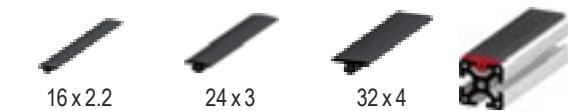


**System Gliders 40**



**Sealing Rubbers**

**Edging And Cover Profiles**

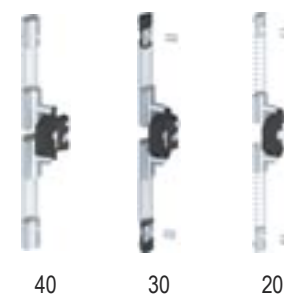


**Cover Profiles**



**Cover Profiles**

**Door Sealing 20**



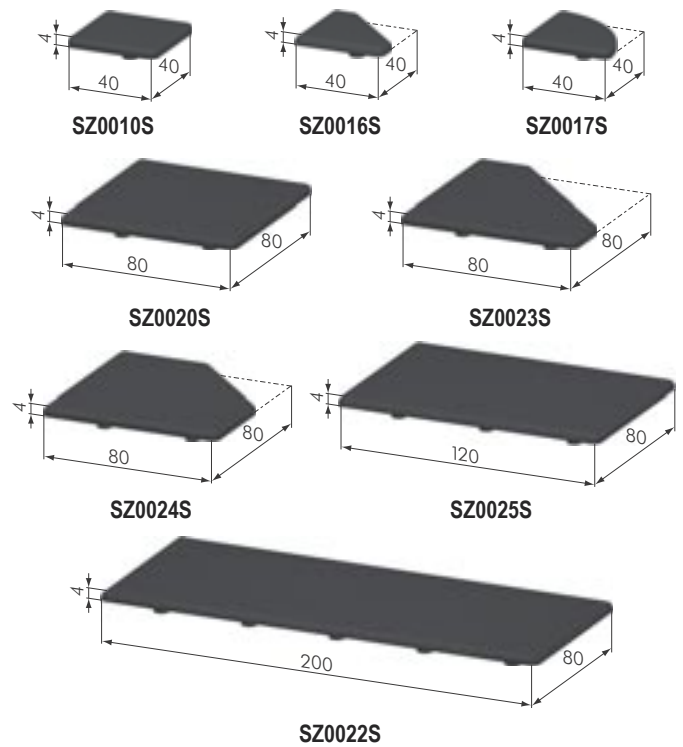
**Spring Door Catches**





**Profile Caps 40**

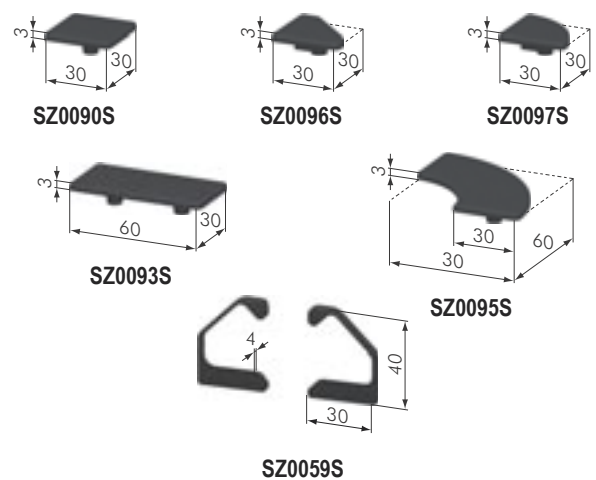
Part N°	Description	Weight
SZ0030S	Profile Cap 16 x 40	2 g
SZ0031S	Profile Cap 16 x 80	5 g
SZ0018S	Profile Cap 20 x 120	
SZ0019S	Profile Cap 20 x 240	
SZ0042S	Profile Cap 28 x 120	12 g
SZ0043S	Profile Cap 28 x 160	17 g
SZ0010S	Profile Cap 40 x 40	5 g
SZ0016S	Profile Cap 40 x 40 45°	4 g
SZ0017S	Profile Cap 40 x 40 R 90	3 g
SZ0011S	Profile Cap 40 x 80	8 g
SZ0012S	Profile Cap 40 x 120	13 g
SZ0013S	Profile Cap 40 x 160	21 g
SZ0014S	Profile Cap 40 x 200	33 g
SZ0020S	Profile Cap 80 x 80	17 g
SZ0023S	Profile Cap 80 x 80 45°	15 g
SZ0025S	Profile Cap 80 x 120	21 g
SZ0021S	Profile Cap 80 x 160	34 g
SZ0022S	Profile Cap 80 x 200	44 g
SZ0024S	Profile Cap 80 x 80 7N 45°	13 g
SZ0100S	Profile Cap 120 x 120	29 g
SZ0026S	Profile Cap R 40 / 80 30°	4 g
SZ0027S	Profile Cap R 40 / 80 45°	6 g
SZ0028S	Profile Cap R 40 / 80 60°	7 g
SZ0029S	Profile Cap R 40 / 80 90°	11 g
SZ0060S	Handrail Profile Cap	6 g

**40**


**Application:** Profile Caps for the profile ranges 40 **standard, semi, double bridge, light and superlight.**

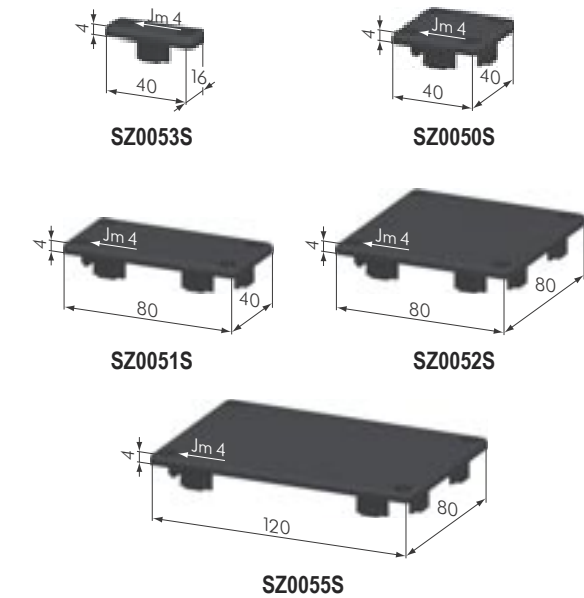
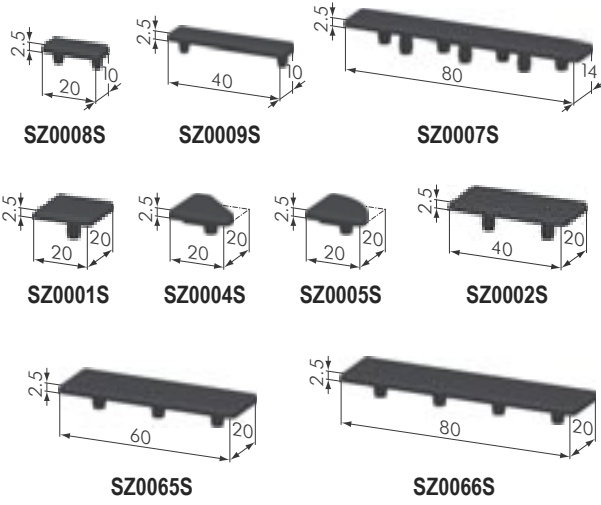
**Profile Caps 30**

Part N°	Description	Weight
SZ0090S	Profile Cap 30 x 30 midi	2.3 g
SZ0096S	Profile Cap 30 x 30 45° midi	1.8 g
SZ0097S	Profile Cap 30 x 30 R 90 midi	2.0 g
SZ0093S	Profile Cap 30 x 60 midi	5.5 g
SZ0091S	Profile Cap R 30 / 60 30° midi	2.3 g
SZ0092S	Profile Cap R 30 / 60 45° midi	2.5 g
SZ0094S	Profile Cap R 30 / 60 60° midi	2.8 g
SZ0095S	Profile Cap R 30 / 60 90° midi	3.4 g
SZ0059S	Profile Cap Set for handle strip profile 30 x 40	

**30**


**Application:** Profile Caps for the profile range 30.

**20**



**40**

Profile Caps 20		
Part No	Description	Weight
SZ0008S	Profile Cap 10 x 20 mini	0.6 g
SZ0009S	Profile Cap 10 x 40 mini	1.1 g
SZ0007S	Profile Cap 14 x 80 mini	3.3 g
SZ0001S	Profile Cap 20 x 20 mini	1.0 g
SZ0004S	Profile Cap 20 x 20 45° mini	0.7 g
SZ0005S	Profile Cap 20 x 20 R 90 mini	0.8 g
SZ0002S	Profile Cap 20 x 40 mini	1.5 g
SZ0065S	Profile Cap 20 x 60 mini	2.0 g
SZ0066S	Profile Cap 20 x 80 mini	2.5 g
SZ0006S	Profile Cap 20 x 200 mini	7.0 g
SZ0003S	Profile Cap 40 x 40 mini	3.5 g

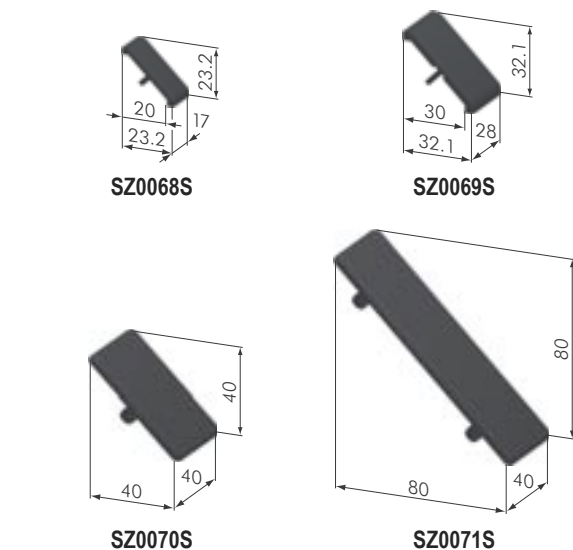
**Application:** End caps for the profile range 30.

Wiring Duct Caps		
Part No	Description	Weight
SZ0053S	Wiring Duct Cap 16 x 40	3 g
SZ0050S	Wiring Duct Cap 40 x 40	8 g
SZ0051S	Wiring Duct Cap 40 x 80	14 g
SZ0052S	Wiring Duct Cap 80 x 80	30 g
SZ0055S	Wiring Duct Cap 80 x 120	32 g

**Application:** End caps for wiring ducts.

**Supply:** 2x/4x sheet metal screw ST 4.2x9.5, DIN 7981

**40**



Corner Bracket Caps		
Part No	Description	Weight
SZ0068S	Corner Bracket Cap 20 x 20	
SZ0069S	Corner Bracket Cap 30 x 30	
SZ0070S	Corner Bracket Cap 40 x 40	8 g
SZ0071S	Corner Bracket Cap 40 x 80	15 g

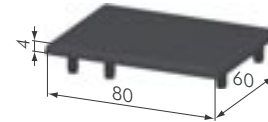
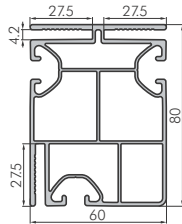
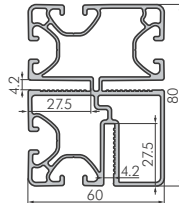
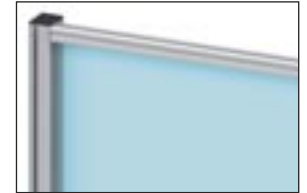
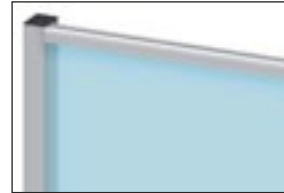
**Application:** Caps for corner brackets Zn. The corner brackets Zn are also available in a set with the required caps.



**Protection Wall Support Leg Cap**

Part N <sup>o</sup>	Description	Weight
SZ0082S	Protection Wall Support Leg Cap 60 x 80	

**Application:** End caps for protection wall support leg profiles 60 x 80 and 60 x 80 5N.

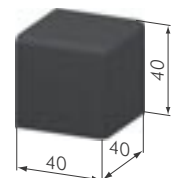
**40**

**SZ0082S**

**SP6370N**  
60 x 80

**SP6450N**  
60 x 80 5N

**Fixing Angle Caps**

Part N <sup>o</sup>	Description	Weight
SZ0075S	Fixing Angle Cap 40 x 40 45°	8 g
SZ0076S	Fixing Angle Cap 40 x 40 round	8 g
SZ0077S	Fixing Angle Cap 40 x 40 edge	16 g

**Application:** Caps for fixing angles 40 x 40 45°. The fixing angles are also available in a set with the required caps.

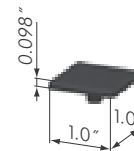
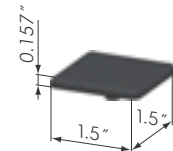
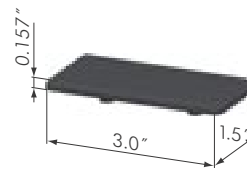
**40**

**SZ0075S**

**SZ0076S**

**SZ0077S**
**Inch Profile Caps**

Part N <sup>o</sup>	Description	Weight
SZ0110S	Profile Cap 1.0" x 1.0"	1 g
SZ0112S	Profile Cap 1.5" x 1.5"	5 g
SZ0113S	Profile Cap 1.5" x 3.0"	8 g
SZ0114S	Profile Cap 3.0" x 3.0"	17 g

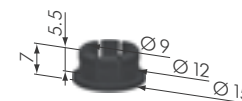
**Application:** End Caps for inch profiles.

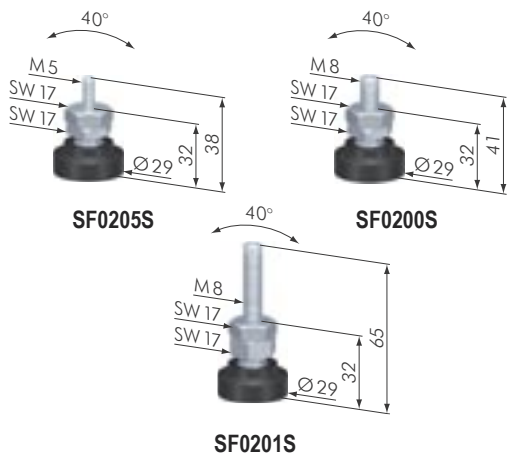
**1.5**
**1.0**

**SZ0110S**

**SZ0112S**

**SZ0113S**

**SZ0114S**
**Profile Cap for SV drillings**

Part N <sup>o</sup>	Description	Weight
SZ0099S	Profile Cap for SV drillings	

**Application:** For covering profile drillings that occur by assembling SV fasteners.

**40**

**SZ0099S**

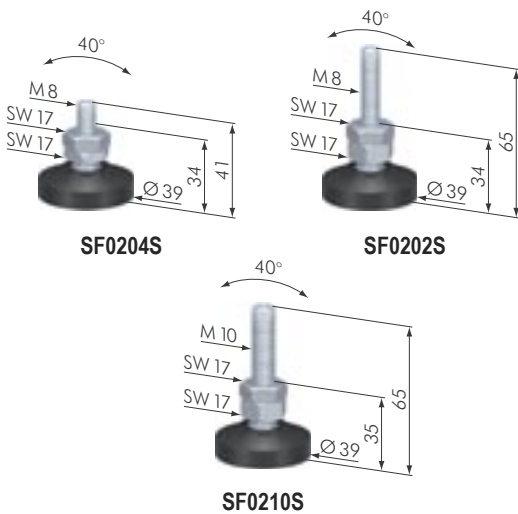



40  
30  
20

Adjustable Feet Ø 29			
Part No	Description	H <sub>min</sub>	Weight
SF0205S	Adjustable Foot Ø 29 M 5 / L 38	32 mm	
SF0200S	Adjustable Foot Ø 29 M 8 / L 41	32 mm	44 g
SF0201S	Adjustable Foot Ø 29 M 8 / L 65	32 mm	50 g

**Application:** Height adjustable foot for leveling machines and structures.  
 Any tipping is compensated by a ball and striker pad.  
 Maximum load: 150 kg

**Material:** pad: POM, black  
 spindle: steel, zinc-plated  
 hexagon nut SW 17: steel, zinc-plated

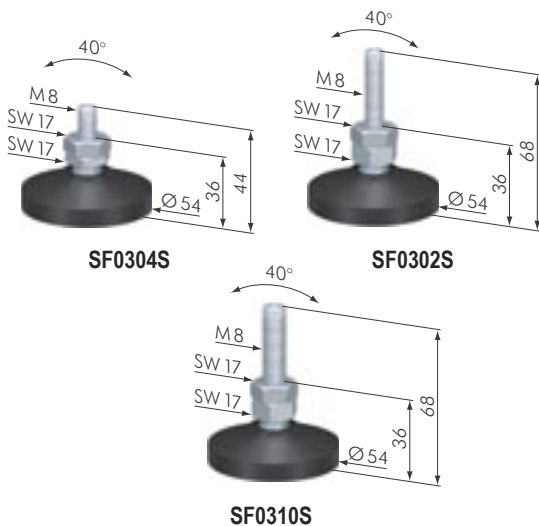


40  
30

Adjustable Feet Ø 39			
Part No	Description	H <sub>min</sub>	Weight
SF0204S	Adjustable Foot Ø 39 M 8 / L 41	34 mm	54 g
SF0202S	Adjustable Foot Ø 39 M 8 / L 65	34 mm	68 g
SF0210S	Adjustable Foot Ø 39 M 10 / L 65	35 mm	75 g

**Application:** Height adjustable foot for leveling machines and structures.  
 Any tipping is compensated by a ball and striker pad.  
 Maximum load: 150 kg

**Material:** pad: POM, black  
 spindle: steel, zinc-plated  
 hexagon nut SW 17: steel, zinc-plated



40  
30

Adjustable Feet Ø 54			
Part No	Description	H <sub>min</sub>	Weight
SF0304S	Adjustable Foot Ø 54 M 8 / L 44	36 mm	72 g
SF0302S	Adjustable Foot Ø 54 M 8 / L 68	36 mm	87 g
SF0310S	Adjustable Foot Ø 54 M 10 / L 68	37 mm	93 g

**Application:** Height adjustable foot for leveling machines and structures.  
 Any tipping is compensated by a ball and striker pad.  
 Maximum load: 150 kg

**Material:** pad: POM, black  
 spindle: steel, zinc-plated  
 hexagon nut SW 17: steel, zinc-plated

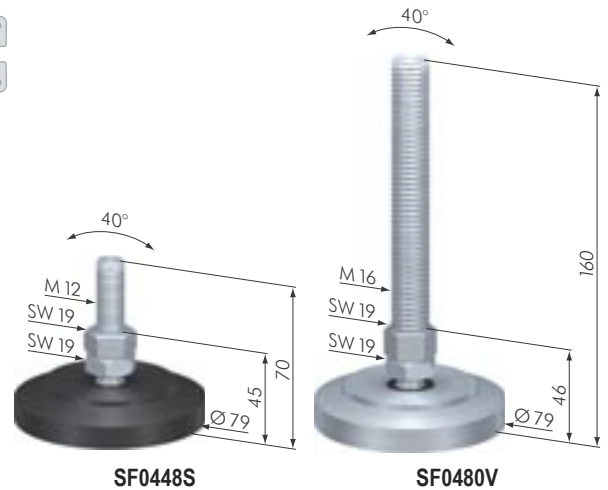
### Adjustable Feet Ø 79

Part N°	Description	H <sub>min</sub>	Weight
SF0448S	Adjustable Foot Ø 79 M 12 PS L 70	45 mm	174 g
SF0470V	Adjustable Foot Ø 79 M 12 SV L 150	45 mm	657 g
SF0450S	Adjustable Foot Ø 79 M 16 PS L 70	46 mm	191 g
SF0464S	Adjustable Foot Ø 79 M 16 PS L 160	46 mm	196 g
SF0480V	Adjustable Foot Ø 79 M 16 SV L 160	46 mm	737 g

**Application:** Height adjustable foot for leveling machines and structures.  
Any tipping is compensated by a ball and striker pad.  
Maximum load: 750 kg

**Material:** pad: **PS** POM, black  
                  **SV** steel, zinc-plated  
                  spindle: steel, zinc-plated  
                  hexagon nut: steel, zinc-plated

**Acc.:** SZ1701S rubber boot Ø 79



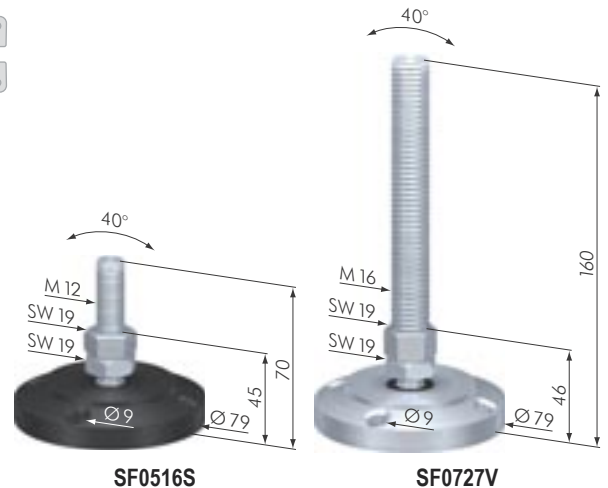
### Adjustable Feet Ø 79 with fixing holes

Part N°	Description	H <sub>min</sub>	Weight
SF0417S	Adjustable Foot Ø 79 M 8 PSB / L 70	40 mm	144 g
SF0415V	Adjustable Foot Ø 79 M 8 SVB / L 70	40 mm	546 g
SF0429S	Adjustable Foot Ø 79 M 10 PSB / L 70	40 mm	150 g
SF0427V	Adjustable Foot Ø 79 M 10 SVB / L 70	40 mm	552 g
SF0516S	Adjustable Foot Ø 79 M 12 ASB / L 70	45 mm	247 g
SF0616S	Adjustable Foot Ø 79 M 12 ASB / L 150	45 mm	302 g
SF0517S	Adjustable Foot Ø 79 M 12 PSB / L 70	45 mm	170 g
SF0617S	Adjustable Foot Ø 79 M 12 PSB / L 150	45 mm	225 g
SF0515V	Adjustable Foot Ø 79 M 12 SVB / L 70	45 mm	574 g
SF0615V	Adjustable Foot Ø 79 M 12 SVB / L 150	45 mm	630 g
SF0529S	Adjustable Foot Ø 79 M 16 PSB / L 70	46 mm	190 g
SF0729S	Adjustable Foot Ø 79 M 16 PSB / L 160	46 mm	307 g
SF0527V	Adjustable Foot Ø 79 M 16 SVB / L 70	46 mm	590 g
SF0727V	Adjustable Foot Ø 79 M 16 SVB / L 160	46 mm	700 g
SF0750V	Adjustable Foot Ø 79 M 16 VAB / L 160	46 mm	
SF0760V	Adjustable Foot Ø 79 M 20 VAB / L 160	46 mm	
SZ1700V	Fixing Set For Adjustable Feet		

**Application:** Height adjustable foot for leveling machines and structures.  
Any tipping is compensated by a ball and striker pad.  
Maximum load: 750 kg

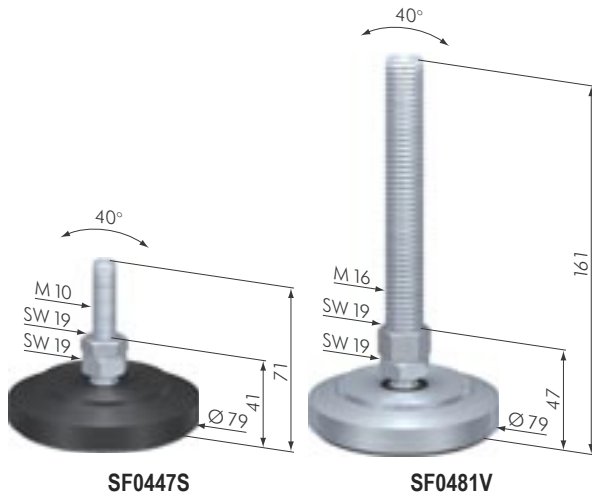
**Material:** pad: **PSB** POM, black; with fixing holes  
                  **SVB** steel, zinc-plated; with fixing holes  
                  **VAB** stainless-steel; with fixing holes  
                  **AVB** aluminum, black anodized; with fixing holes  
                  spindle: steel, zinc-plated  
                  hexagon nut: steel, zinc-plated

**Acc.:** SZ1700V fixing set for adjustable feet  
          SZ1701S rubber boot Ø 79



SZ1700V

40

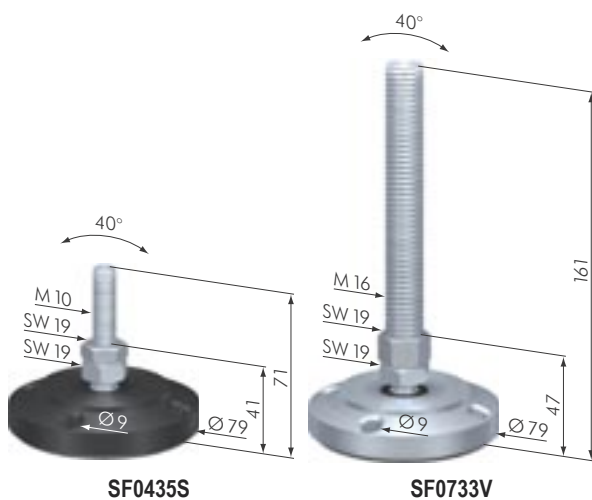


Ø 79 with anti-vibration pad			
Part No	Description	H <sub>min</sub>	Weight
SF0443S	Adjustable Foot Ø 79 M 8 PSD / L 71	41 mm	153 g
SF0447S	Adjustable Foot Ø 79 M 10 PSD / L 71	41 mm	162 g
SF0449S	Adjustable Foot Ø 79 M 12 PSD / L 71	46 mm	179 g
SF0481V	Adjustable Foot Ø 79 M 16 SVD / L 161	47 mm	692 g

**Application:** Height adjustable foot for leveling machines and structures.  
Any tipping is compensated by a ball and striker pad.  
Maximum load: 750 kg

**Material:** pad: PSD POM, black; with anti-vibration pad  
SVD steel, zinc-plated; with anti-vibration pad  
spindle: steel, zinc-plated  
hexagon nut: steel, zinc-plated

40

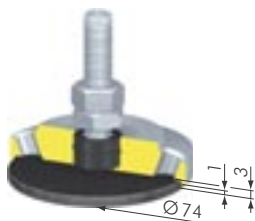


Ø 79 with anti-vibration pad and fixing holes			
Part No	Description	H <sub>min</sub>	Weight
SF0423S	Adjustable Foot Ø 79 M 8 PSDB / L 71	41 mm	151 g
SF0421V	Adjustable Foot Ø 79 M 8 SVDB / L 71	41 mm	508 g
SF0435S	Adjustable Foot Ø 79 M 10 PSDB / L 71	41 mm	157 g
SF0433V	Adjustable Foot Ø 79 M 10 SVDB / L 71	41 mm	513 g
SF0722S	Adjustable Foot Ø 79 M 12 ASDB / L 151	46 mm	229 g
SF0723S	Adjustable Foot Ø 79 M 12 PSDB / L 151	46 mm	232 g
SF0721V	Adjustable Foot Ø 79 M 12 SVDB / L 151	46 mm	582 g
SF0535S	Adjustable Foot Ø 79 M 16 PSDB / L 71	47 mm	195 g
SF0735V	Adjustable Foot Ø 79 M 16 PSDB / L 161	47 mm	314 g
SF0533V	Adjustable Foot Ø 79 M 16 SVDB / L 71	47 mm	551 g
SF0733V	Adjustable Foot Ø 79 M 16 SVDB / L 161	47 mm	670 g
SZ1700V	Fixing Set For Adjustable Feet		

**Application:** Height adjustable foot for leveling machines and structures.  
Any tipping is compensated by a ball and striker pad.  
Maximum load: 750 kg

**Material:** pad: PSDB POM, black; with anti-vibr. pad / fixing holes  
SVDB steel, zinc-plated; with anti-vibr. pad / fixing holes  
ASDB aluminum, black anodized; with anti-vibr. pad / fixing holes  
spindle: steel, zinc-plated  
hexagon nut: steel, zinc-plated

**Acc.:** SZ1700V fixing set for adjustable feet



Anti-vibration pad

40



SF0435S

Rubber Boot Ø 79		
Part No	Description	Weight
SZ1701S	Rubber Boot Ø 79	24 g

**Application:** The anti-vibration boots are used with adjustable feet Ø 79.

**Material:** rubber, black

### Adjustable Foot Ø 119 with fixing holes

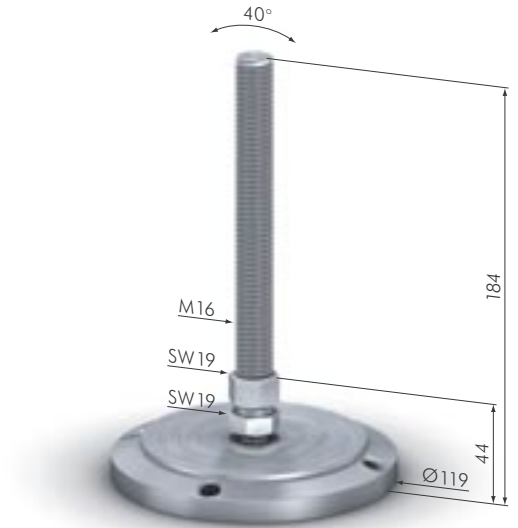
Part No	Description	H <sub>min</sub>	Weight
SF0770V	Adjustable Foot Ø 79 M 16 VAB / L 151	44 mm	1.5 kg

40

**Application:** Height adjustable foot for leveling machines and structures.  
Any tipping is compensated by a ball and striker pad.  
Maximum load: 1300 kg

**Material:** pad: VAB stainless-steel; with fixing holes  
spindle: steel, zinc-plated  
hexagon nut: steel, zinc-plated

**Acc.:** SZ1700V fixing set for adjustable feet



SF0770V



Ø 136 with fixing holes			
Part No	Description	H <sub>min</sub>	Weight
SF0818V	Adjustable Foot Ø 136 M 16 SVB / L 94	47 mm	2.15 kg
SF0918V	Adjustable Foot Ø 136 M 16 SVB / L 165	47 mm	2.26 kg
SZ1700V	Fixing Set For Adjustable Feet		

**Application:** Height adjustable foot for leveling machines and structures.  
Any tipping is compensated by a ball and striker pad.  
Maximum load: 1300 kg

**Material:** pad: **SVB** steel steel, zinc-plated  
striker pad: POM, black  
spindle: steel, zinc-plated  
hexagon nut: steel, zinc-plated

**Acc.:** Two fixing sets SZ1700V are required for adjustable feet Ø 136.



Ø 136 with anti-vibration pad and fixing holes			
Part No	Description	H <sub>min</sub>	Weight
SF0822V	Adjustable Foot Ø 136 M 16 SVDB / L 95	48 mm	2.02 kg
SF0922V	Adjustable Foot Ø 136 M 16 SVDB / L 166	48 mm	2.11 kg
SF0929V	Adjustable Foot Ø 136 M 20 SVDB / L 95	54 mm	2.10 kg
SF0931V	Adjustable Foot Ø 136 M 20 SVDB / L 166	54 mm	2.23 kg
SZ1700V	Fixing Set For Adjustable Feet		

**Application:** Height adjustable foot for leveling machines and structures.  
Any tipping is compensated by a ball and striker pad.  
Maximum load: 1300 kg

**Material:** pad: **SVDB** steel, zinc-plated; with anti-vibr. pad / fixing holes  
striker pad: POM, black  
spindle: steel, zinc-plated  
hexagon nut: steel, zinc-plated

**Acc.:** Two fixing sets SZ1700V are required for adjustable feet Ø 136.



**Ø 136 with anti-vibration pad and fixing holes**

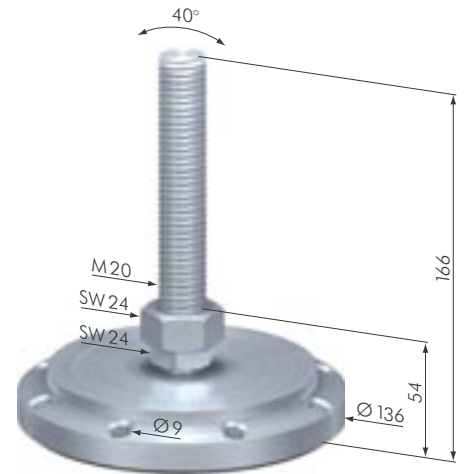
Part No	Description	H <sub>min</sub>	Weight
SF0950V	Adj. Foot Ø 136 M 16 SVDB / L 95 St	48 mm	2.04 kg
SF0951V	Adj. Foot Ø 136 M 16 SVDB / L 166 St	48 mm	2.15 kg
SF0952V	Adj. Foot Ø 136 M 20 SVDB / L 95 St	54 mm	2.14 kg
SF0953V	Adj. Foot Ø 136 M 20 SVDB / L 166 St	54 mm	2.27 kg
SZ1700V	Fixing Set For Adjustable Feet		

40

**Application:** Height adjustable foot for leveling machines and structures.  
Any tipping is compensated by a ball and striker pad.  
Maximum load: 2000 kg

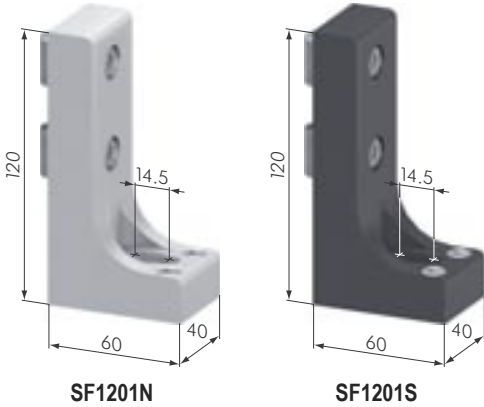
**Material:** pad: **SVDB** steel, zinc-plated;  
with anti-vibration pad / fixing holes  
striker pad: steel, zinc-plated  
spindle: steel, zinc-plated  
hexagon nut: steel, zinc-plated

**Acc.:** Two fixing sets are required  
for adjustable feet Ø 136.



**SF0953V**

**40**



Angle Feet AI		
Part No	Description	Weight
SF1201N	Angle Foot AN	394 g
SF1201S	Angle Foot AS	394 g
SZ1710V	Fixing Set For Angle Feet	

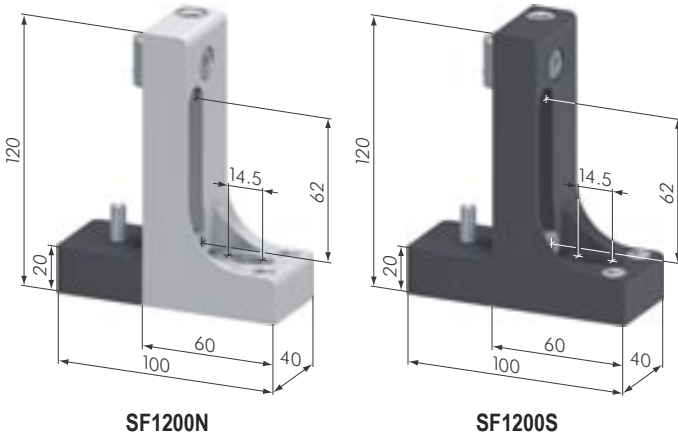
**Application:** For adjusting and fixing machine frames and protection panel support legs to the floor.

**Material:** aluminum, natural or black anodized

**Supply:** 1x angle foot  
 2x t-nut M 8 / ball-type, slide-in  
 2x cap head screw M 8 x 25, DIN 6912  
 2x grub screw M 12 x 20

**Acc.:** SZ1710V floor anchor M 8

**40**



Angle Feet AI, adjustable		
Part No	Description	Weight
SF1200N	Angle Foot AN, adjustable	612 g
SF1200S	Angle Foot AS, adjustable	612 g
SZ1710V	Fixing Set For Angle Feet	

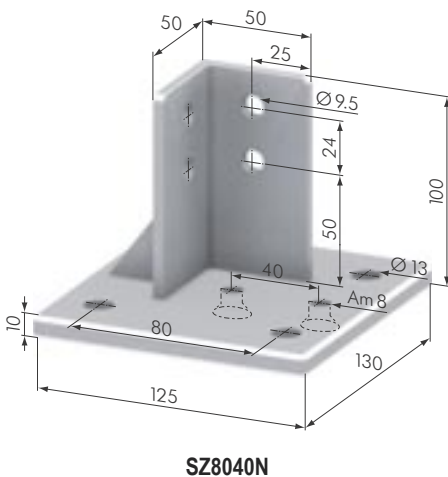
**Application:** For adjusting and fixing machine frames and protection panel support legs to the floor. Vertical adjustment: 62 mm

**Material:** aluminum, natural or black anodized

**Supply:** 1x angle foot  
 2x t-nut M 8 / ball-type, slide-in  
 2x cap head screw M 8 x 25, DIN 6912  
 2x grub screw M 12 x 20

**Acc.:** SZ1710V floor anchor M 8

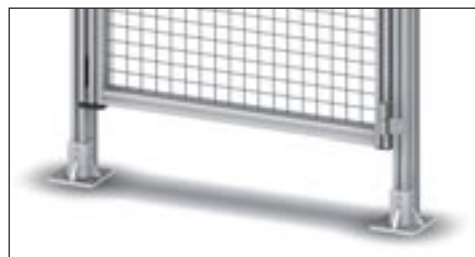
**40**



Metal Foot		
Part No	Description	Weight
SZ8040N	Metal Foot	566 g

**Application:** For fixing protection panel support legs to the floor.

**Material:** GD, natural



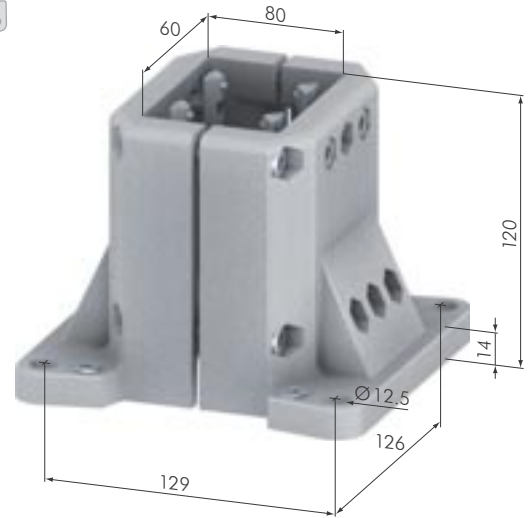
### Clamping Feet

Part No	Description	Weight
SZ8080N	Clamping Foot 40 x 40	
SZ8081N	Clamping Foot 60 x 80	
SZ8082N	Clamping Foot 80 x 80	
SZ1735V	Fixing Set Clamping Foot	

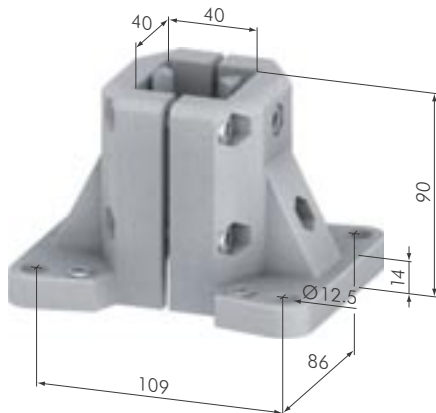
40

**Application:** For adjusting and fixing protection panel support legs to the floor. One fixing set is required per clamping foot.

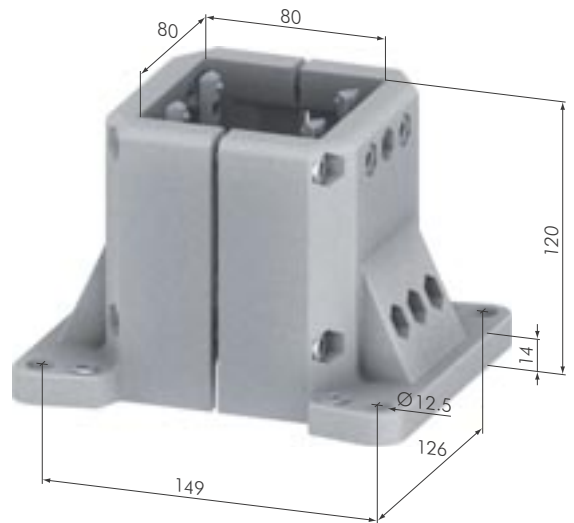
**Material:** aluminum, natural anodized



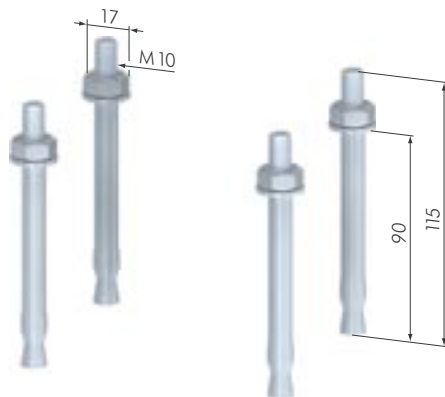
**SZ8081N**



**SZ8080N**



**SZ8082N**



**SZ1735V**

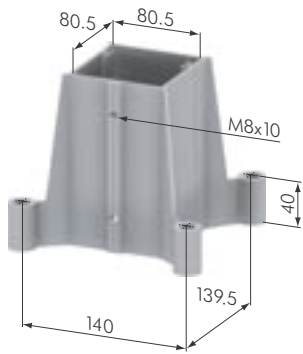


Mounting Feet		
Part No	Description	Weight
SZ8050N	Mounting Foot 80 x 80	
SZ8055N	Mounting Foot 60 x 80	
SZ1750V	Fixing Set Mounting Feet 60 x 80 and 80 x 80	

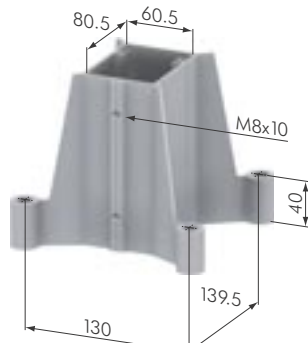
**Application:** For fixing protection panel support legs to the floor. One fixing set is required per clamping foot.

**Material:** aluminum, natural anodized

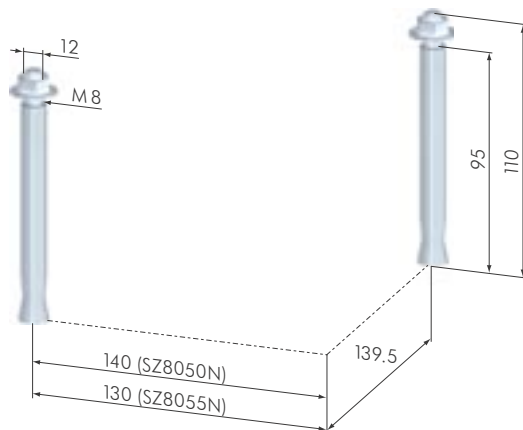
**Supply:** 2x grub screw M 8 x 10



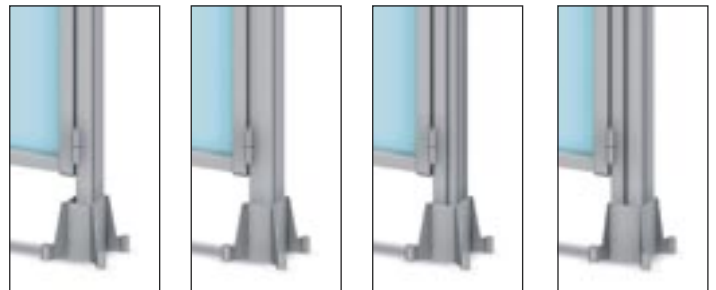
**SZ8050N**



**SZ8055N**



**SZ1750V**



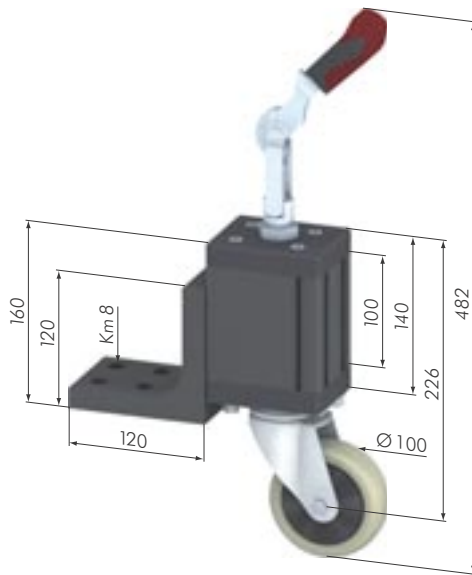
**Lifting Castor Units**

Part No	Description	Weight	Load
SF2600V	LCU, with steering roller Ø 100		110 kg
SF2601V	LCU, with trestle roller Ø 100		100 kg
SF2604V	LCU, with steering roller Ø 125		
SF2605V	LCU, with trestle roller Ø 125		
SF2606V	LCU, with steering roller Ø 100, compact		110 kg
SF2607V	LCU, with trestle roller Ø 100, compact		100 kg

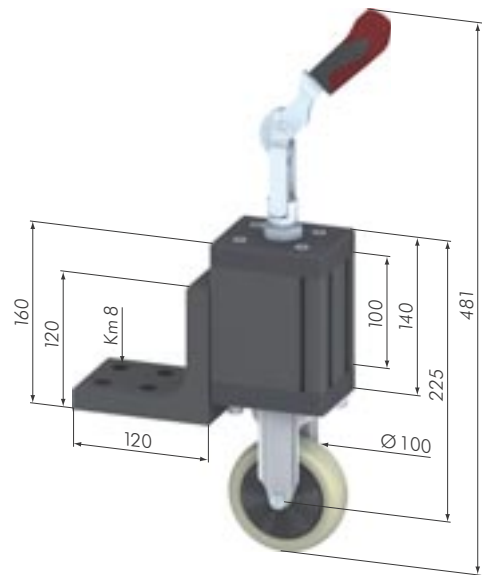


**Application:** For relocating measurement devices and jigs.

**Material:** aluminum, black anodized



SF2600V



SF2601V

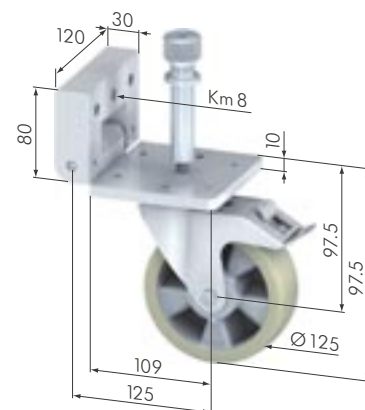
**Hinge Castor**

Part No	Description	Weight
SF2602V	Hinge Castor	

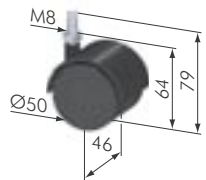


**Application:** For relocating measurement devices and jigs.

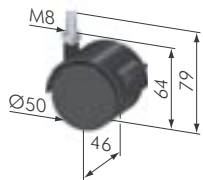
**Material:** steel, zinc-plated



SF2602V



SF2000S



SF2100S

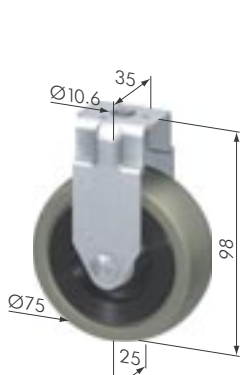


**Castors Ø 50**

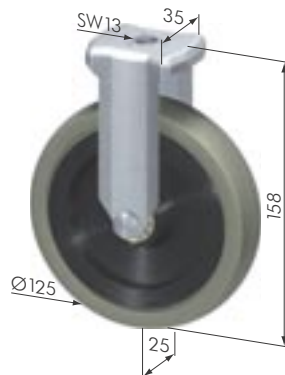
Part No	Description	Weight	Load
SF2000S	Castor Ø 50	74 g	30 kg
SF2100S	Castor Ø 50, braked	83 g	30 kg

**Application:** For carts with small load.  
temperature resistance: -20° to 60°

**Material:** PA, black



SF2200V



SF2210V

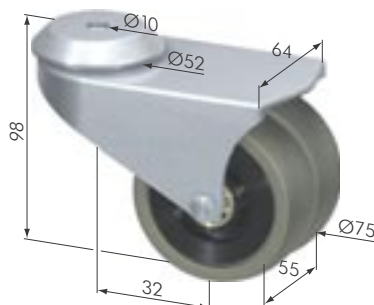


**Castors, rubber**

Part No	Description	Weight	Load
SF2200V	Castor Ø 75, rubber	229 g	60 kg
SF2210V	Castor Ø 125, rubber	1000 g	100 kg

**Application:** For carts with heavy load.  
temperature resistance: -20° to 60°

**Material:** housing: steel, zinc-plated



SF2300V



**Double Castors Ø 75, rubber**

Part No	Description	Weight	Load
SF2400V	Double Castor Ø 75, rubber	581 g	80 kg
SF2401V	Double Castor Ø 75, rubber, braked	666 g	80 kg

**Application:** For carts and benches with heavy load.  
temperature resistance: -20° to 60°

**Material:** housing: steel, zinc-plated

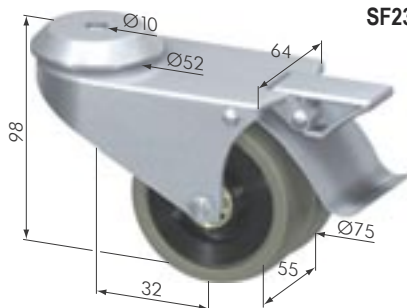


**Steering Castors, rubber**

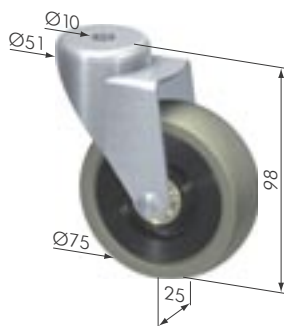
Part No	Description	Weight	Load
SF2300V	Steering Castor Ø 75, rubber	330 g	60 kg
SF2302V	Steering Castor Ø 75, rubber, fixable	340 g	60 kg
SF2310V	Steering Castor Ø 125, rubber	1100 g	100 kg
SF2312V	Steering Castor Ø 125, rubber, fixable	1150 g	100 kg

**Application:** For carts with heavy load.  
temperature resistance: -20° to 60°

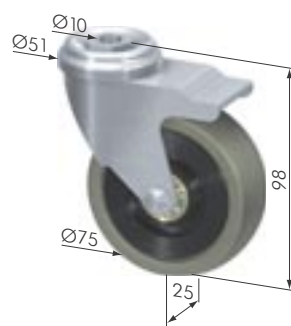
**Material:** housing: steel, zinc-plated



SF2300V



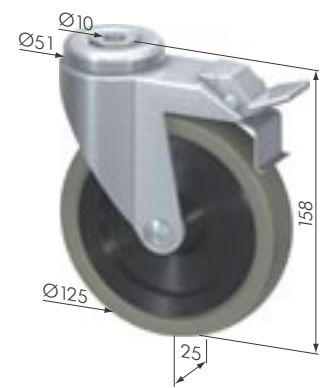
SF2300V



SF2302V



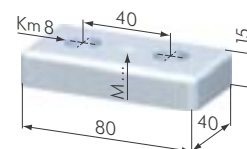
SF2200V



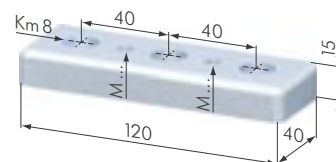
SF2312V

**Foot Plates 40 x 80**

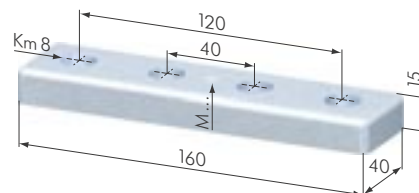
Part No	Description	Weight
SZ0210V	Foot Plate 40 x 80 M 8, zinc-plated	339 g
SZ0212V	Foot Plate 40 x 80 M 10, zinc-plated	335 g
SZ0230V	Foot Plate 40 x 80 M 12, zinc-plated	331 g
SZ0232V	Foot Plate 40 x 80 M 16, zinc-plated	335 g
SZ0233V	Foot Plate 40 x 80 M 20, zinc-plated	308 g


**Foot Plates 40 x 120**

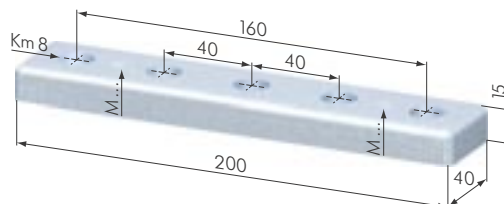
Part No	Description	Weight
SZ0214V	Foot Plate 40 x 120 M 8, zinc-plated	522 g
SZ0216V	Foot Plate 40 x 120 M 10, zinc-plated	519 g
SZ0234V	Foot Plate 40 x 120 M 12, zinc-plated	515 g
SZ0236V	Foot Plate 40 x 120 M 16, zinc-plated	505 g
SZ0237V	Foot Plate 40 x 120 M 20, zinc-plated	490 g


**Foot Plates 40 x 160**

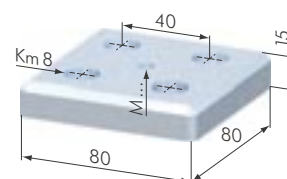
Part No	Description	Weight
SZ0260V	Foot Plate 40 x 160 M 8, zinc-plated	723 g
SZ0261V	Foot Plate 40 x 160 M 10, zinc-plated	720 g
SZ0262V	Foot Plate 40 x 160 M 12, zinc-plated	716 g
SZ0263V	Foot Plate 40 x 160 M 16, zinc-plated	705 g
SZ0264V	Foot Plate 40 x 160 M 20, zinc-plated	692 g


**Foot Plates 40 x 200**

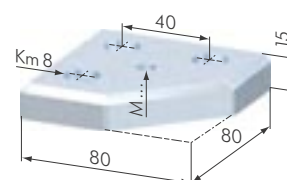
Part No	Description	Weight
SZ0265V	Foot Plate 40 x 200 M 8, zinc-plated	905 g
SZ0266V	Foot Plate 40 x 200 M 10, zinc-plated	902 g
SZ0267V	Foot Plate 40 x 200 M 12, zinc-plated	898 g
SZ0268V	Foot Plate 40 x 200 M 16, zinc-plated	887 g
SZ0269V	Foot Plate 40 x 200 M 20, zinc-plated	874 g


**Foot Plates 80 x 80**

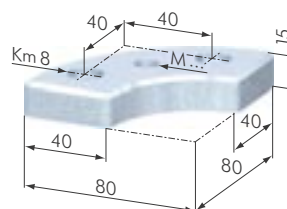
Part No	Description	Weight
SZ0240V	Foot Plate 80 x 80 M 8, zinc-plated	694 g
SZ0242V	Foot Plate 80 x 80 M 10, zinc-plated	694 g
SZ0220V	Foot Plate 80 x 80 M 12, zinc-plated	694 g
SZ0222V	Foot Plate 80 x 80 M 16, zinc-plated	678 g
SZ0223V	Foot Plate 80 x 80 M 20, zinc-plated	652 g

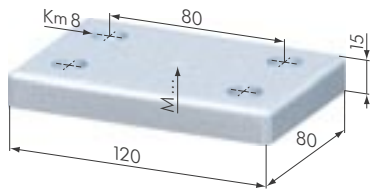

**Foot Plates 80 x 80 Eck 7N**

Part No	Description	Weight
SZ0255V	Foot Plate 80 x 80 Eck 7N M 8, zinc-plated	654 g
SZ0256V	Foot Plate 80 x 80 Eck 7N M 10, zinc-plated	654 g
SZ0257V	Foot Plate 80 x 80 Eck 7N M 12, zinc-plated	654 g
SZ0258V	Foot Plate 80 x 80 Eck 7N M 16, zinc-plated	638 g
SZ0259V	Foot Plate 80 x 80 Eck 7N M 20, zinc-plated	612 g

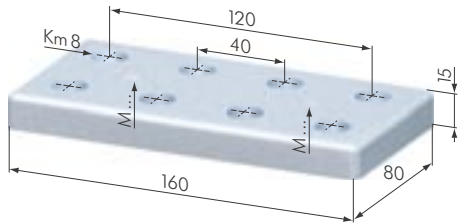

**Foot Plates R 40 x 80 90°**

Part No	Description	Weight
SZ0211V	Foot Plate R 40 x 80 90° M 8, zinc-plated	
SZ0213V	Foot Plate R 40 x 80 90° M 10, zinc-plated	

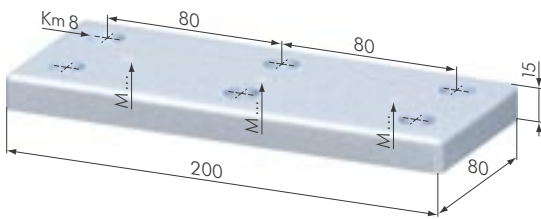




Foot Plates 80 x 120		
Part No	Description	Weight
SZ0270V	Foot Plate 80 x 120 M 8, zinc-plated	1.08 kg
SZ0271V	Foot Plate 80 x 120 M 10, zinc-plated	1.08 kg
SZ0272V	Foot Plate 80 x 120 M 12, zinc-plated	1.07 kg
SZ0273V	Foot Plate 80 x 120 M 16, zinc-plated	1.05 kg
SZ0274V	Foot Plate 80 x 120 M 20, zinc-plated	1.02 kg



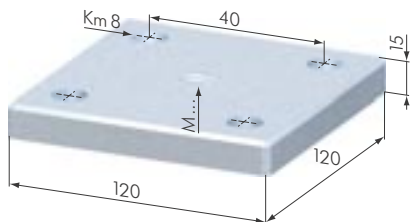
Foot Plates 80 x 160		
Part No	Description	Weight
SZ0250V	Foot Plate 80 x 160 M 8, zinc-plated	1.39 kg
SZ0252V	Foot Plate 80 x 160 M 10, zinc-plated	1.38 kg
SZ0224V	Foot Plate 80 x 160 M 12, zinc-plated	1.37 kg
SZ0226V	Foot Plate 80 x 160 M 16, zinc-plated	1.35 kg
SZ0227V	Foot Plate 80 x 160 M 20, zinc-plated	1.32 kg



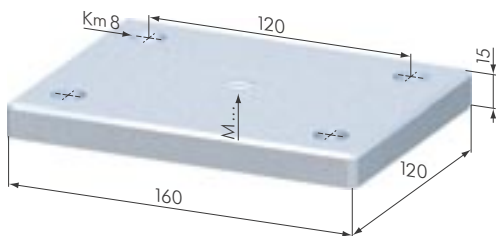
Foot Plates 80 x 200		
Part No	Description	Weight
SZ0275V	Foot Plate 80 x 200 M 8, zinc-plated	1.81 kg
SZ0276V	Foot Plate 80 x 200 M 10, zinc-plated	1.80 kg
SZ0277V	Foot Plate 80 x 200 M 12, zinc-plated	1.80 kg
SZ0278V	Foot Plate 80 x 200 M 16, zinc-plated	1.77 kg
SZ0279V	Foot Plate 80 x 200 M 20, zinc-plated	1.75 kg

**Application:** Frontal screwing into profiles offers support of ring bolts, castors and adjustable feet.

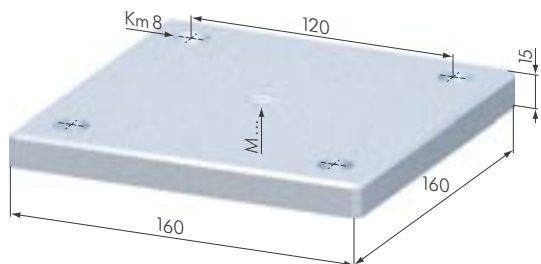
**Material:** steel, zinc-plated



Foot Plates 120 x 120		
Part No	Description	Weight
SZ0282V	Foot Plate 120 x 120 M 16, zinc-plated	1.59 kg
SZ0283V	Foot Plate 120 x 120 M 20, zinc-plated	1.57 kg



Foot Plates 120 x 160		
Part No	Description	Weight
SZ0287V	Foot Plate 120 x 160 M 16, zinc-plated	2.17 kg
SZ0288V	Foot Plate 120 x 160 M 20, zinc-plated	2.13 kg



Foot Plates 160 x 160		
Part No	Description	Weight
SZ0280V	Foot Plate 160 x 160 M 16, zinc-plated	
SZ0281V	Foot Plate 160 x 160 M 20, zinc-plated	

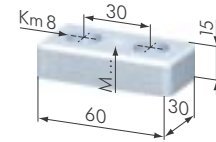
**Application:** Frontal screwing into profiles offers support of ring bolts, castors and adjustable feet.

**Material:** steel, zinc-plated



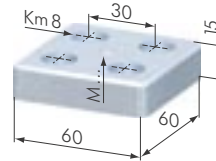
**Foot Plates 30 x 60 midi**

Part N°	Description	Weight
SZ0285V	Foot Plate 30 x 60 midi M 8, zinc-plated	104 g
SZ0286V	Foot Plate 30 x 60 midi M 10, zinc-plated	102 g



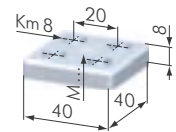
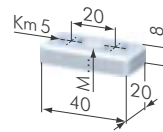
**Foot Plates 60 x 60 midi**

Part N°	Description	Weight
SZ0295V	Foot Plate 60 x 60 midi M 8, zinc-plated	348 g
SZ0296V	Foot Plate 60 x 60 midi M 10, zinc-plated	344 g
SZ0297V	Foot Plate 60 x 60 midi M 12, zinc-plated	342 g
SZ0298V	Foot Plate 60 x 60 midi M 16, zinc-plated	328 g



**Foot Plates 20 x 40 mini**

Part N°	Description	Weight
SZ0200V	Foot Plate 20 x 40 mini M 8, zinc-plated	39 g
SZ0202V	Foot Plate 20 x 40 mini M 10, zinc-plated	37 g
SZ0204V	Foot Plate 40 x 40 mini M 8, zinc-plated	79 g
SZ0206V	Foot Plate 40 x 40 mini M 10, zinc-plated	77 g



**Application:** Frontal screwing into profiles offers support of ring bolts, castors and adjustable feet.

**Material:** steel, zinc-plated

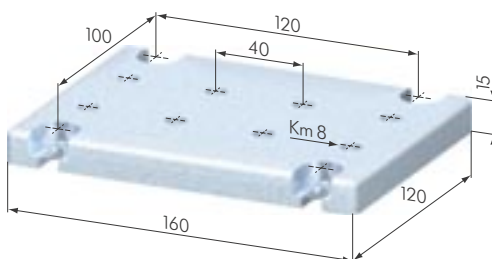
**System Plates**

Part N°	Description	Weight
SZ0160V	System Plate 120 x 160 Ø 9, zinc-plated	2 kg
SZ0166V	System Plate 160 x 240 Ø 9, zinc-plated	4 kg

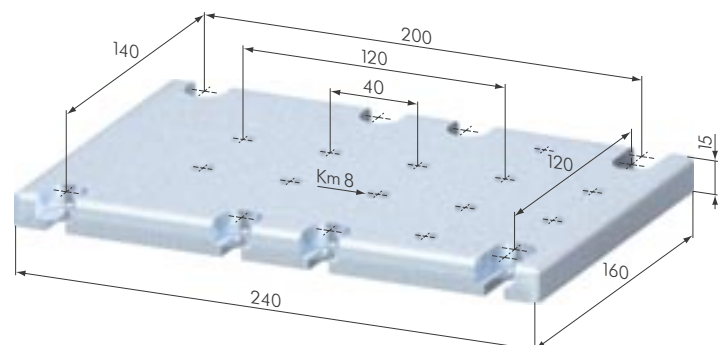


**Application:** For fixing profile structures onto countertops.

**Material:** steel, zinc-plated

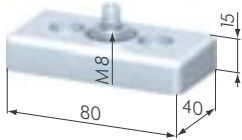


SZ0160V

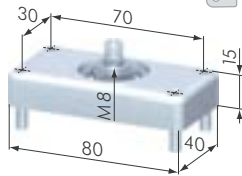


SZ0166V

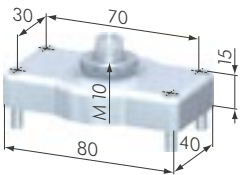
**40**



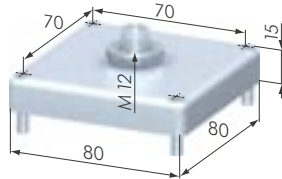
**SZ3500V**



**SZ3510V**



**SZ3520V**



**SZ3530V**

Bearing Plates		
Part No	Description	Weight
SZ3500V	Bearing Plate 40 x 80 Ø 8	318 g
SZ3510V	Bearing Plate 40 x 80 Ø 10	310 g
SZ3520V	Bearing Plate 40 x 80 Ø 20	163 g
SZ3530V	Bearing Plate 80 x 80 Ø 20	315 g

**Application:** Suitable for holding shafts and axles.

**Material:** steel, zinc-plated

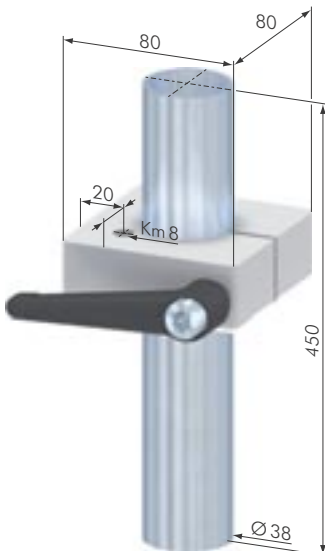


**40**

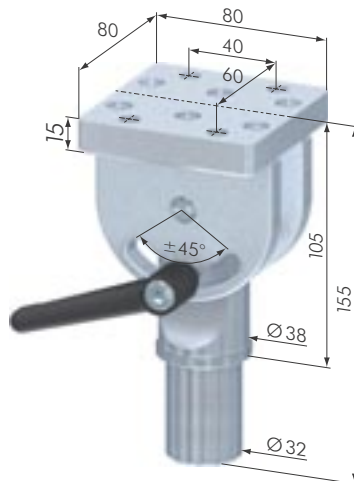
Adjusting Elements		
Part No	Description	Weight
ST3510V	Angle Adjuster	2.2 kg
ST4010V	Vertical Adjuster	1.75 kg

**Application:** Suitable for variable angle adjustments as well as for vertical adjustments.

**Material:** steel, zinc-plated



**ST4010V**



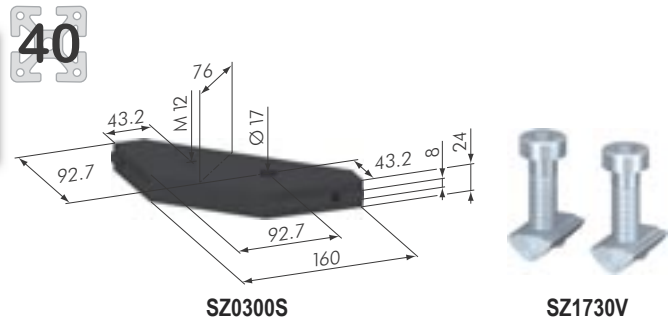
**ST3510V**

Floor Fixing Plate		
Part No	Description	Weight
SZ0300S	Floor Fixing Plate	760 g
SZ1730V	Fixing Set For Floor Fixing Plate	48 g

**Application:** For fixing racks and frameworks to the floor or to strengthen right-angled connections as additional support.

**Material:** aluminum, black anodized

**Supply:** SZ1730V: 2x cap head screw M8 x 30, DIN 912  
2x t-nut M8 / ball-type, push-in



**SZ0300S**

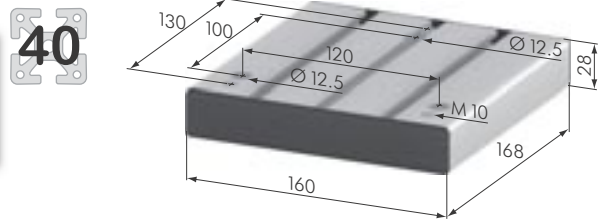
**SZ1730V**

Floor Plates		
Part No	Description	Weight
SZ0350V	Floor Plate 28 x 160 x 160	1.34 kg
SZ0352V	Floor Plate 28 x 160 x 280	2.25 kg

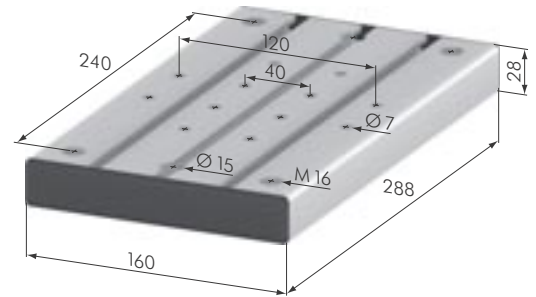
**Application:** For attaching profiles to the floor. Designed to support various sizes of profiles simply by turning the floor plate to match the hole or t-slot pattern.

**Material:** aluminum, natural anodized

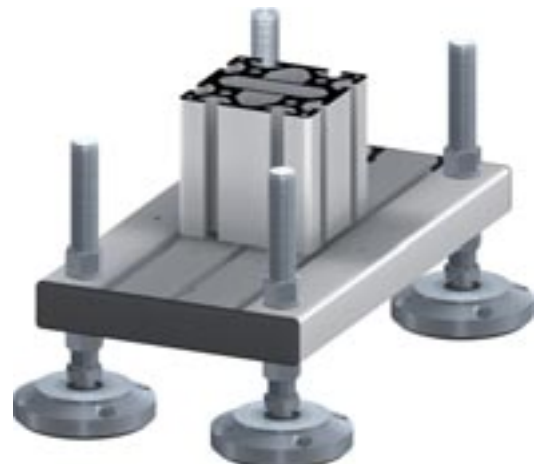
**Supply:** Completely pre-machined, with two profile caps 28 x 160.



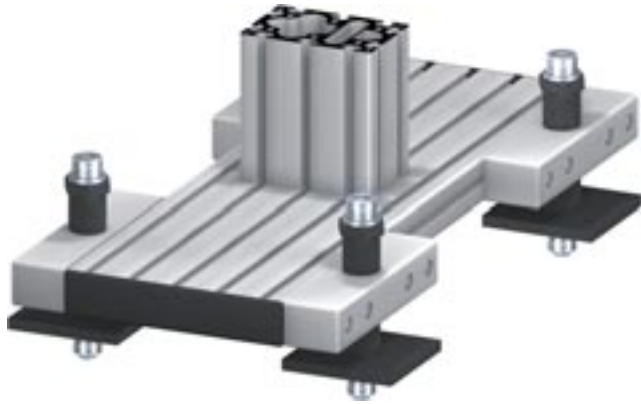
**SZ0350V**



**SZ0352V**



40



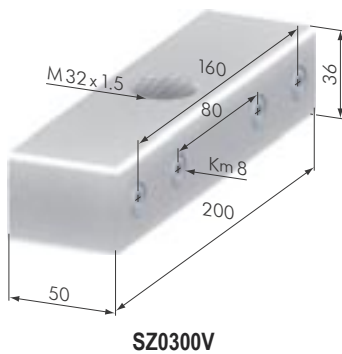
Foot Block, Jacking Screws		
Part No	Description	Weight
SZ0300V	Foot Block M 32 x 1.5	956 g
SZ0310S	Pressure Plate 100 x 100 x 10	742 g
SS3060S	Jacking Screw M 32 x 1.5 60 SW 36	226 g
SS3100S	Jacking Screw M 32 x 1.5 100 SW 36	363 g
SZ1732V	Fixing Set For Portal Plates	158 g

**Application:** Heavy duty fastening of machine frameworks.

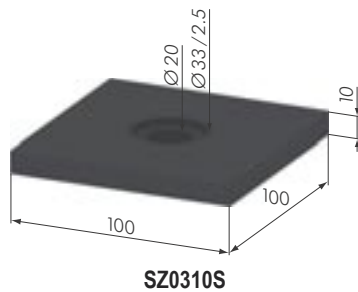
**Material:** foot block: aluminum, natural anodized  
jacking screw: steel, black  
pressure plate: steel, black

**Acc.:** SZ1732V: 2x floor anchor M 12 x 115

Two fixing sets SZ1732V are required for portal plates with four jacking screws.



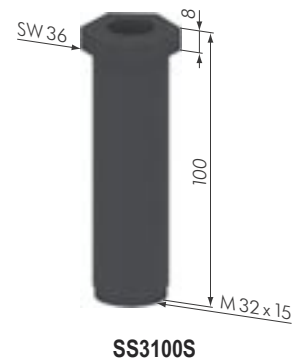
SZ0300V



SZ0310S

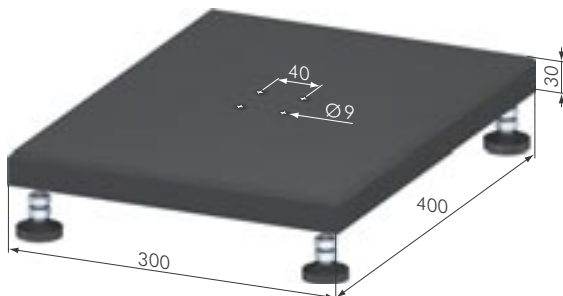


SS3060S



SS3100S

40



ST4500S

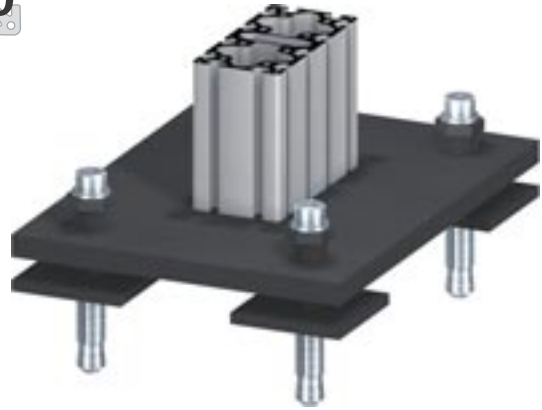
Floor Plate		
Part No	Description	Weight
ST4500S	Foot Plate, with four adjustable feet	10 kg

**Application:** A stable platform for conveyors and machine assemblies.  
The foot plate comes with four adjustable feet Ø 39 M 8 (SF0202S).

**Material:** aluminum, black anodized

**Portal Plates**

Part No	Description	Weight
SZ0321S	Portal Plate 100 x 300 / 80 x 80	9.6 kg
SZ0322S	Portal Plate 300 x 300 / 80 x 80	13.6 kg
SZ0337S	Portal Plate 350 x 350 / 120 x 120	17.6 kg
SZ0325S	Portal Plate 350 x 300 / 80 x 120	15.9 kg
SZ0327S	Portal Plate 400 x 300 / 80 x 160	18.3 kg
SZ0329S	Portal Plate 450 x 300 / 80 x 200	20.6 kg
SZ1732V	Fixing Plate For Portal Plates	158 g

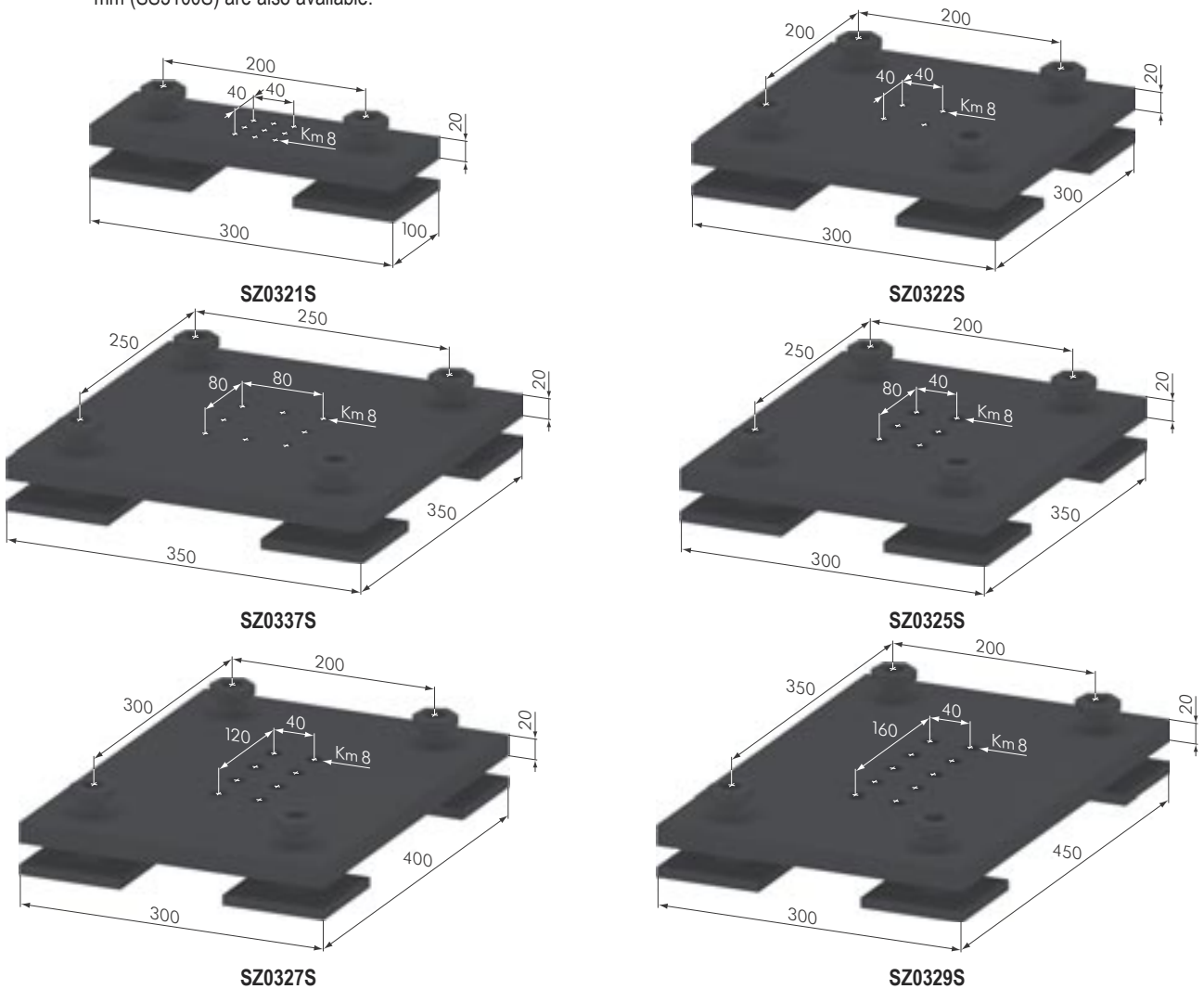


**Application:** Portal plates are used to fix large machine frames or portal robots to the floor.

**Material:** steel, zinc-plated black

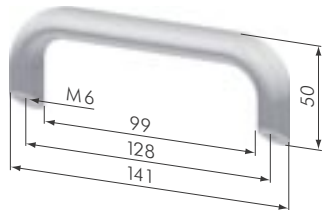
**Supply:** 2x/4x jacking screw M 32 x 1.5 x 60  
1x pressure plate 100 x 100 x 10 per jacking screw

**Acc.:** SZ1732V: 2x heavy duty dowel M 12 x 115  
Two fixing sets SZ1732V are required for portal plates with four jacking screws. Longer floor anchors with a length of 100 mm (SS3100S) are also available.





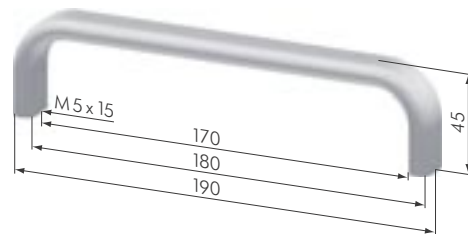
SZ0840N



SZ0850N



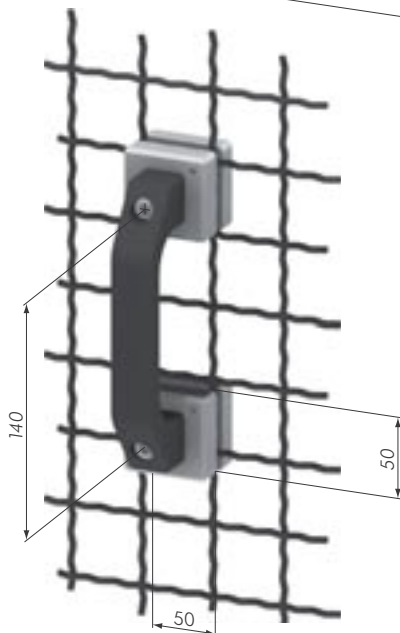
SZ0820S



SZ0810N



SZ0830N



SZ8015N

40  
30  
20

Handles		
Part N°	Description	Weight
SZ0840N	Handle Al/L 147, natural	166 g
SZ0840S	Handle Al/L 147, black	166 g
SZ0850N	Handle Al 55°, natural	115 g
SZ0850S	Handle Al 55°, black	115 g
SZ0830N	Handle Al/L 700	1,100 g
SZ0820S	Handle PA	122 g
SZ0810N	Handle light	100 g

**Application:** Multi-purpose, e.g. for doors and drawers.

**Material:** (see description)  
 Handle Al: aluminum, natural or black anodized  
 Handle light: aluminum, natural anodized  
 Handle PA: ABS

40

Protection Wall Handle		
Part N°	Description	Weight
SZ8015N	Protection Wall Handle	

**Application:** Handle for fixing to wire mesh panels.

**Material:** Handle: PA, black  
 fixing plates: aluminum, natural anodized

**Supply:** 1x SZ0820S handle PA  
 2x fixing plate I, handle  
 2x fixing plate II, handle  
 2x cap head screw M 8 x 30  
 4x cap head screw M 5 x 30

### Handle Strip Profile 30 x 40

Part No	Description	Length	Weight
SP0591N	Handle Strip Profile 30 x 40	cut	0,81 kg / m
SP0590N3000	Handle Strip Profile 30 x 40	3 m	2,43 kg
SP0590N6000	Handle Strip Profile 30 x 40	6 m	4,86 kg
SZ0059S	Profile Cap Set		2,6 g

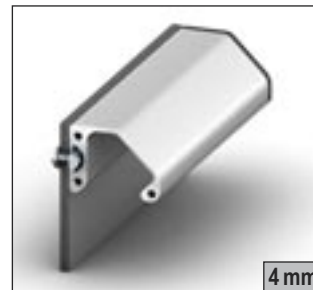
**Application:** Multi-purpose, e.g. for doors and drawers. Has a stabilizing effect when installed on sheet material and protects the fingers.

**Material:** Handle Strip Profile: aluminum, natural anodized  
Profile Cap Set: PA 6, black

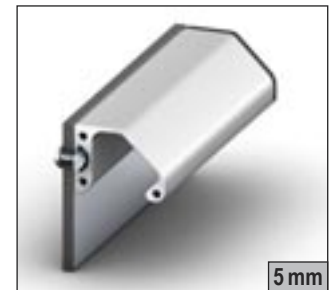
**Acc.:** SV2193V t-nut M 5 mini, alternatively  
SV2195V t-nut M 5 VA mini  
SS0308V button head screw M 5 x 8 (4 mm sheet)  
SS0310V button head screw M 5 x 10 (5 mm sheet)  
SS0312V button head screw M 5 x 12 (6 mm sheet)  
SS0312V button head screw M 5 x 12 (8 mm sheet)  
SS0316V button head screw M 5 x 16 (10 mm sheet)



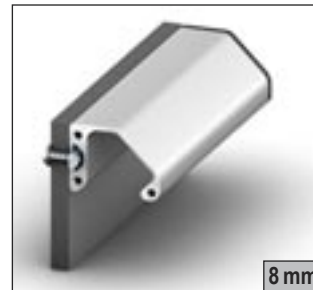
6 mm



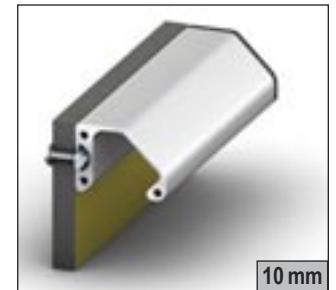
4 mm



5 mm



8 mm

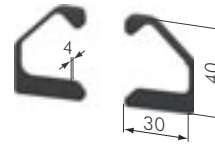


10 mm

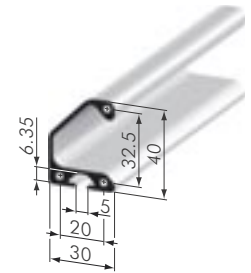
**Acc.:** SV2100V t-nut M 5 / ball-type, push-in, alternatively  
SV2104V t-nut M 5 VA / ball-type, push-in  
SS0312V t-nut M 5 x 12 (t-slot series 40)  
SS0310V t-nut M 5 x 10 (t-slot series 30)  
SZ8205V washer Ø 8

The fastening elements listed here as well as the end cap set are sold separately and are not part of the delivery of the handle strip profile.

40  
30



SZ0059S



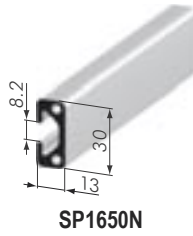
SP0590N



40



30

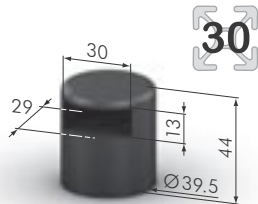
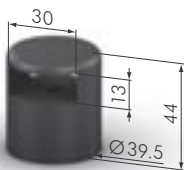


**Profile 13 x 30**

Part No	Description	Length	Weight
SP1651N	Profile 13 x 30, natural	cut	0,81 kg/m
SP1650N3000	Profile 13 x 30, natural	3 m	2,43 kg
SP1650N6000	Profile 13 x 30, natural	6 m	4,86 kg

**Application:** Universally applicable, e.g. for doors and drawers suitable as a handle strip.

**Material:** aluminum, natural anodized

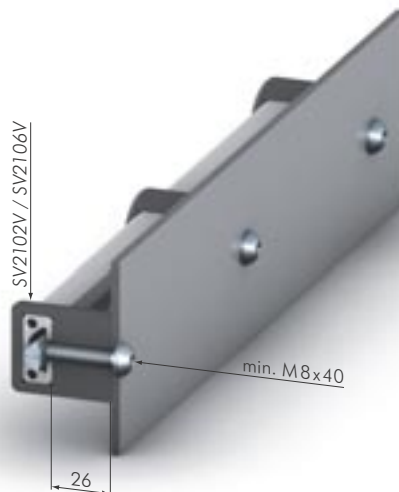
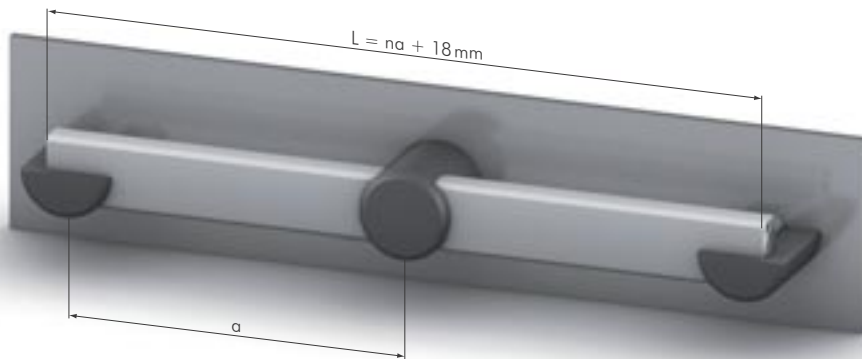


**Socket Elements for Profile 13 x 30**

Part No	Description	Weight
SZ5600S	Socket Element 1	
SZ5610S	Socket Element 2	

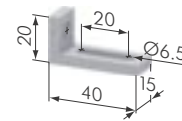
**Application:** Suitable for preparing a handle strip for doors and drawers.

**Material:** POM, black

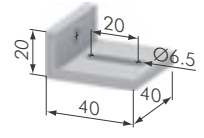




Fixing Angles 40 x 20		
Part N°	Description	Weight
SZ0910N	Fixing Angle 40 x 20 x 15	9 g
SZ0912N	Fixing Angle 40 x 20 x 20	13 g
SZ0914N	Fixing Angle 40 x 20 x 30	20 g
SZ0916N	Fixing Angle 40 x 20 x 40	27 g

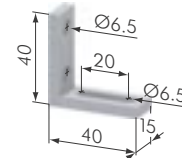


SZ0910N

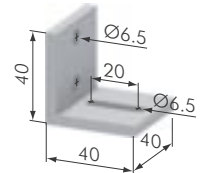


SZ0916N

Fixing Angles 40 x 40		
Part N°	Description	Weight
SZ0920N	Fixing Angle 40 x 40 x 15	12 g
SZ0922N	Fixing Angle 40 x 40 x 20	17 g
SZ0924N	Fixing Angle 40 x 40 x 30	27 g
SZ0926N	Fixing Angle 40 x 40 x 40	37 g



SZ0920N



SZ0926N

**Application:** For right-angled fixing of profiles.

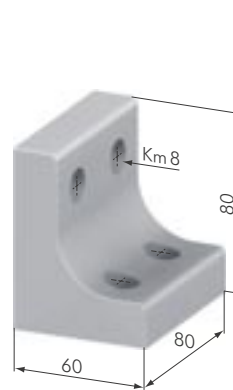
**Material:** aluminum, natural anodized

Fixing Angles		
Part N°	Description	Weight
SZ0980N	Fixing Angle 60 x 80	523 g
SZ0990N	Fixing Angle 60 x 120	683 g
SZ0985N	Fixing Angle 80 x 80	610 g
SZ0995N	Fixing Angle 80 x 120	742 g
SZ0997N	Fixing Angle 120 x 120	

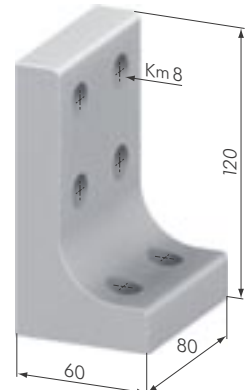


**Application:** For right-angled fixing and stabilizing of profiles.

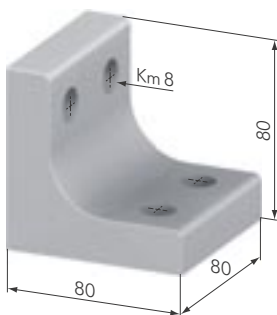
**Material:** aluminum, natural anodized



SZ0980N



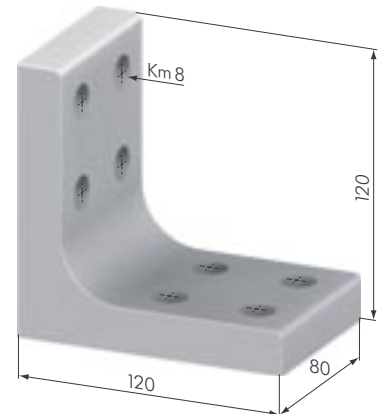
SZ0990N



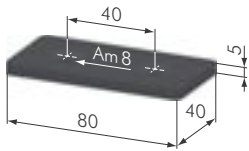
SZ0985N



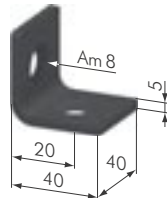
SZ0995N



SZ0997N



SZ0960S



SZ0950S

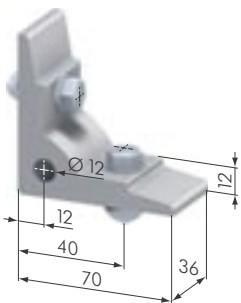


**Angle / Strap, steel**

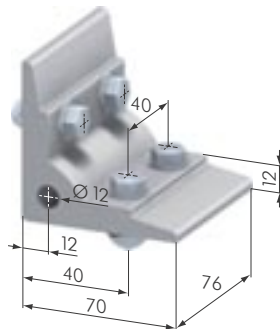
Part No	Description	Weight
SZ0960S	Strap 40 x 80, steel	90 g
SZ0950S	Angle 40 x 40, steel	102 g

**Application:** Universal applicable attachment elements for interconnecting profiles.

**Material:** steel, black



SZ0940N



SZ0941N



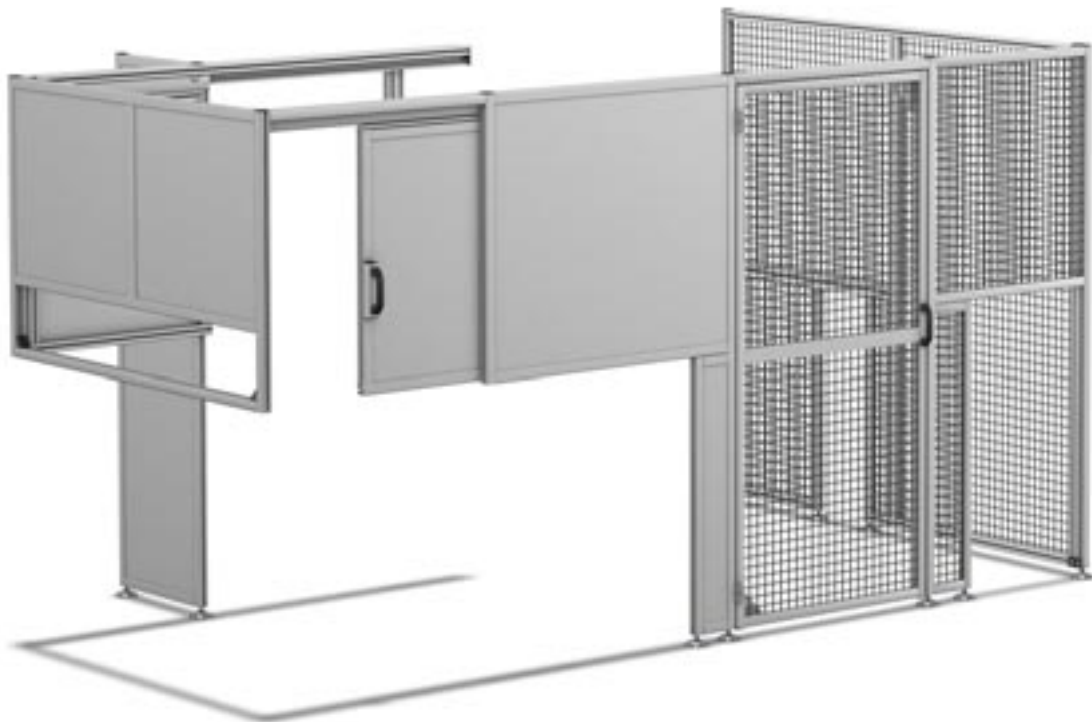
**Fixing Angles 70 x 70**

Part No	Description	Weight
SZ0940N	Fixing Angle 70 x 70 x 36	166 g
SZ0941N	Fixing Angle 70 x 70 x 76	344 g

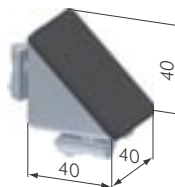
**Application:** For right-angled fixing of profiles without the need of machining the profiles. Comes with required fixing set.

**Material:** aluminum, natural anodized

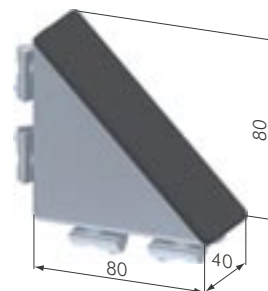
**Supply:** SZ0941N: 4x anchor screw (M 8 x 32)  
SZ0940N: 2x anchor screw (M 8 x 32)  
2x anti-twist set screw



Corner Brackets Zn 40		
Part N°	Description	Weight
SZ0971N	Corner Bracket Zn 40 x 40	99 g
SZ0970N	Corner Bracket Zn 40 x 40, complete	135 g
SZ0973N	Corner Bracket Zn 40 x 80	309 g
SZ0972N	Corner Bracket Zn 40 x 80, complete	388 g

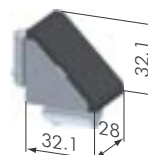


SZ0970N

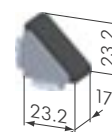


SZ0972N

Corner Brackets Zn 30		
Part N°	Description	Weight
SZ0967N	Corner Bracket Zn 30 x 30	
SZ0966N	Corner Bracket Zn 30 x 30, complete	



SZ0966N



SZ0964N

Corner Brackets Zn 20		
Part N°	Description	Weight
SZ0965N	Corner Bracket Zn 20 x 20	
SZ0964N	Corner Bracket Zn 20 x 20, complete	

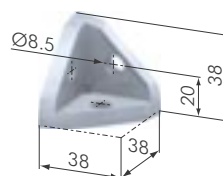


**Application:** For right-angled fixing of profiles without the need of machining the profiles.

**Material:** GDZn (zinc diecasting), natural

**Supply:** Corner brackets are available separately or in a set containing a fastening set and a corner bracket cap.

Corner Fasteners		
Part N°	Description	Weight
SZ0931S	Corner Fastener 40 x 40 45°	89 g
SZ0930S	Corner Fastener Set 40 x 40 45°	127 g
SZ0932S	Corner Fastener Set 40 x 40, round	127 g
SZ0933S	Corner Fastener Set 40 x 40, edge	135 g



SZ0931S



SZ0932S



SZ0933S

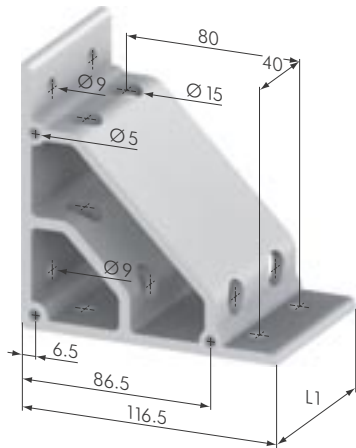
**Application:** For right-angled fixing of profiles.

**Material:** GDZn (zinc diecasting), natural  
PA 6, black

**Supply:** Corner fastener sets contain the corner fastener 40 x 40 45°, three button head screws M 8 x 20, ISO 7380, and the appropriate cap.



SZ0930S



**SZ6501N**

**40**

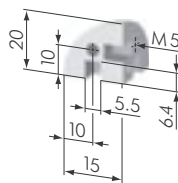
**Angles 120 x 120**

Part №	Description	L <sub>1</sub>	n	Weight
SZ6500N	Angle 120 x 120 x 40		4	210 g
SZ6501N	Angle 120 x 120 x 80		8	424 g
SZ6502N	Angle 120 x 120 x 120		12	636 g
SZ6503N	Angle 120 x 120 x 160		16	850 g
SZ6504N	Angle 120 x 120 x 200		20	1053 g

**Application:** For right-angled fixing of profiles.

n = number of fixing holes

**Material:** aluminum, natural anodized



**SZ5060N**

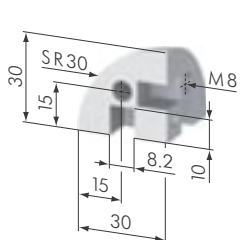
**40**  
**30**  
**20**

**Round Corners**

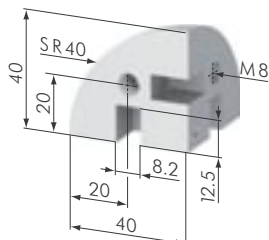
Part №	Description	Weight
SZ5045N	Round Corner 80	584 g
SZ5050N	Round Corner 40	74 g
SZ5055N	Round Corner 30	26 g
SZ5060N	Round Corner 20	8 g

**Application:** For right-angled fixing of round profiles.

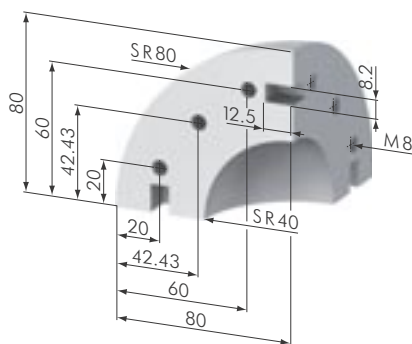
**Material:** aluminum, natural anodized



**SZ5055N**



**SZ5050N**



**SZ5045N**



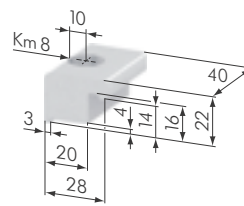
### Clamp Angles

Part No	Description	L <sub>1</sub>	n	Weight
SZ6550N	Clamp Angle 28 x 22 x 40		1	41 g
SZ6551N	Clamp Angle 28 x 22 x 80		2	83 g
SZ6552N	Clamp Angle 28 x 22 x 120		3	125 g
SZ6553N	Clamp Angle 28 x 22 x 160		4	167 g
SZ6554N	Clamp Angle 28 x 22 x 200		5	210 g

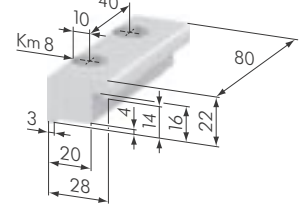
**Application:** For right-angled fixing of profiles.

n = number of fixing holes

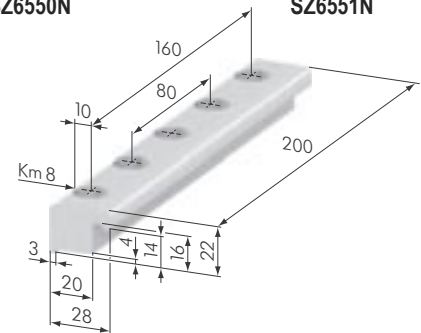
**Material:** aluminum, natural anodized



SZ6550N



SZ6551N



SZ6554N

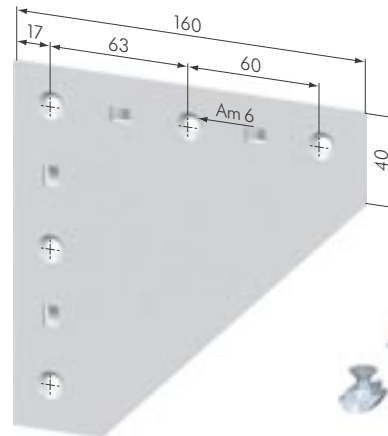
### Gusset Plates Al

Part No	Description	Weight
SZ8043N	Gusset Plate Al, 160 x 160	
SZ0780V	Fixing Set For Gusset Plate Al, 160 x 160	
SZ8048N	Gusset Plate Al, 160 x 160, complete	
SZ8070N	Gusset Plate Al, t-version	
SZ0784V	Fixing Set For Gusset Plate Al, t-version	
SZ8075N	Gusset Plate Al, t-version, complete	
SZ8060N	Gusset Plate Al, angle	
SZ0782V	Fixing Set For Gusset Plate Al, angle	
SZ8065N	Gusset Plate Al, angle, complete	

**Application:** Gusset plates are suitable for strengthening t- and corner connections of profiles within machine frames and jigs.

**Material:** aluminum, natural anodized

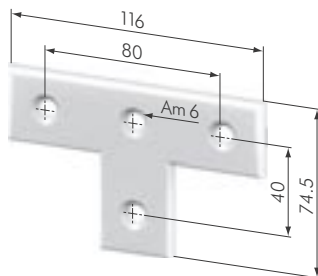
**Supply:** Gusset plates and appropriate fixing sets are available separately as well as in complete sets.



SZ8043N



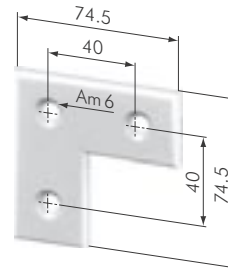
SZ0780V



SZ8070N



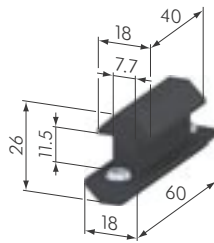
SZ0784V



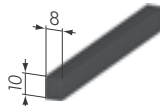
SZ8060N



SZ0782V



SZ1300S



SZ1310S



System Glider		
Part No	Description	Weight
SZ1300S	System Glider 40 / 60	22 g

**Application:** Linear guidance of one profile against another. Used for sliding doors or windows. The system glider is locked into the profile t-slot via M 4 grub screws. The distance between the profiles amounts to 2.1 mm.

**Material:** POM, black

**Supply:** 2x grub screw M 8 x 8, zinc-plated



Slide Rail		
Part No	Description	Weight
SZ1310S	Slide Rail for sliding door profile	

**Application:** The slide rail is situated in the sliding door profile SP0401N to give a smooth running surface for doors and sliding elements.

**Material:** POM, black

### System Glider 40

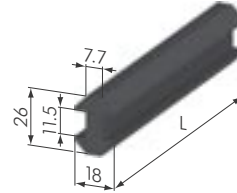
Part No	Description	Weight
SZ1330S	System Glider 40	
SZ1333S	System Glider 40, fixable	
SZ1335S	System Glider 40, offset	
SZ1338S	System Glider 40, offset, fixable	

40

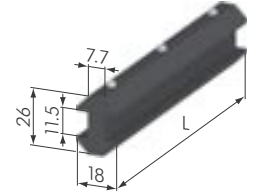
**Application:** Linear guidance of one profile against another. Used for sliding doors or windows. The fixable system glider are locked into the profile t-slot via M 4 grub screws.

**Material:** POM, black

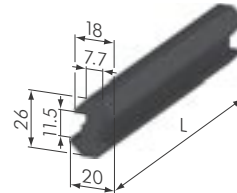
**Supplied Length:** max. 2950 mm



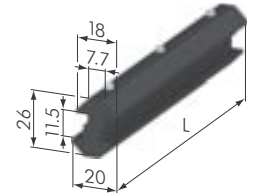
SZ1330S



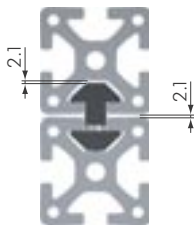
SZ1333S

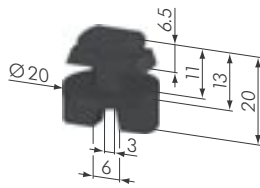


SZ1335S



SZ1338S





SZ1590S

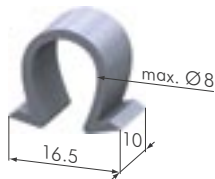


### Bin Locator

Part No	Description	Weight
SZ1590S	Bin Locator	10 g

**Application:** The bin locator is locked into position by twisting the locator 90° into the profile t-slot. Storage boxes for small parts can be clamped into position for workspace assembly lines.

**Material:** PA, black



SZ1580N

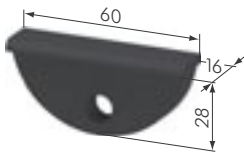


### Omega Clamp

Part No	Description	Weight
SZ1580N	Omega Clamp, Type A	0,55 g

**Anwendung:** The clamp is clipped into the t-slot. Using the clamp, pneumatic tubes, cable ducts or control lines can be attached to profiles of series 30 and 40.

**Material:** PP, grey



SZ1110S



SZ1210V



### Glider / Spring Hook

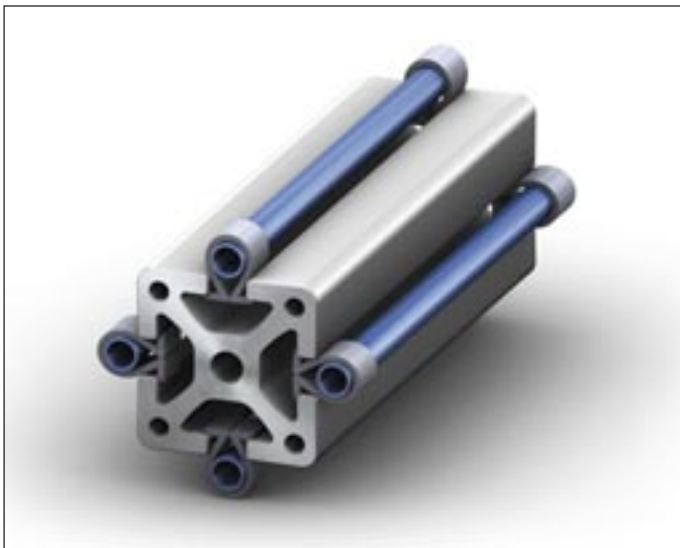
Part No	Description	Weight
SZ1110S	Glider	14 g
SZ1210V	Spring Hook	27 g

**Application:** For sliding suspended equipment. Spring hooks are used for holding tools.

**Material:** glider: POM, black  
spring hook: steel, zinc-plated

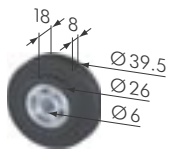




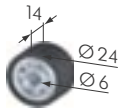


Omega are used to clamp conduits and compressed air lines etc. to any type of profile section that uses the M8 t-slot. If they are no longer needed, the clamps can be removed easily.

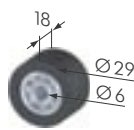




SZ2220S



SZ2210S

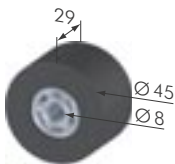


SZ2230S

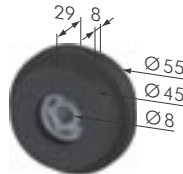
Rollers, POM		
Part No	Description	Weight
SZ2220S	Roller, POM	35 g
SZ2210S	Roller, POM, Ø 24	
SZ2230S	Roller, POM, Ø 29	28 g

**Application:** The ball bearing roller is guided into the profile t-slot and can be used for flexible attachments of panel elements. Because of its asymmetrical construction, distances between the panel and profile can be adjusted.

**Material:** POM, black



SZ2420S



SZ2424S

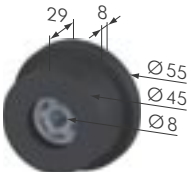


Load Bearing Rollers		
Part No	Description	Weight
SZ2420S	Load Bearing Roller 45	84 g
SZ2424S	Load Bearing Roller RM 45	80 g
SZ2422S	Load Bearing Roller RS 45	80 g
SZ2580Z	Fixing Set For Load Bearing Rollers	34 g

**Application:** Universal rollers that are designed to run in the profile t-slot.

**Material:** POM, black

**Acc.:** **SZ2580Z:** 1x cap head screw M 8 x 35, DIN 6912  
1x t-nut M 8 / ball-type, push-in  
1x spacer ME2108197



SZ2422S



SZ2580Z



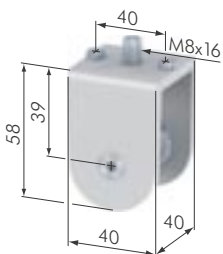
Roller Housings		
Part No	Description	Weight
SZ2620N	Roller Housing 40	70 g
SZ2640N	Roller Housing 80	160 g

**Application:** For attaching load bearing rollers to the profile.

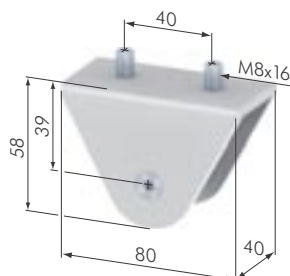
**Material:** aluminum, natural anodized

**Supply:** roller housing 40:  
1x spacer; steel, zinc-plated  
1x load bearing roller axle  
2x countersink screw M 6 x 12, zinc-plated  
1x button head screw M 8 x 16  
2x SS9900V anti-twist set screw  
1x roller housing 40

roller housing 80:  
1x spacer; steel, zinc-plated  
1x load bearing roller axle  
2x countersink screw M 6 x 12, zinc-plated  
2x button head screw M 8 x 16  
1x roller housing 80



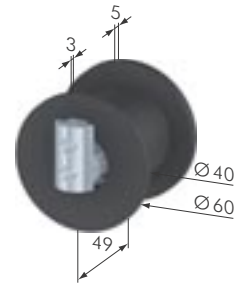
SZ2620N



SZ2640N

### Stabilizing Roller, vertical profile

Part N°	Description	Weight
SZ8044S	Stabilizing Roller, vertical profile	139 g



SZ8044S

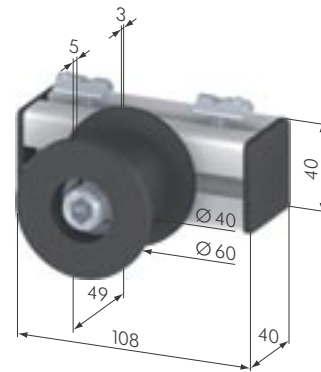
**Application:** Support roller for sliding panels.

**Material:** POM, black

**Supply:** 1 x special screw M 8  
2 x spacer 12 x 18 x 12  
2 x single groove bearing 6001  
1 x t-nut M 8, ball-type, slide-in

### Stabilizing Roller, horizontal profile

Part N°	Description	Weight
SZ8045S	Stabilizing Roller, horizontal profile	

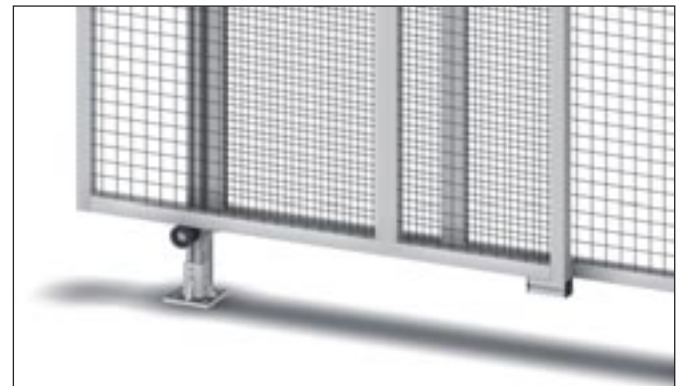


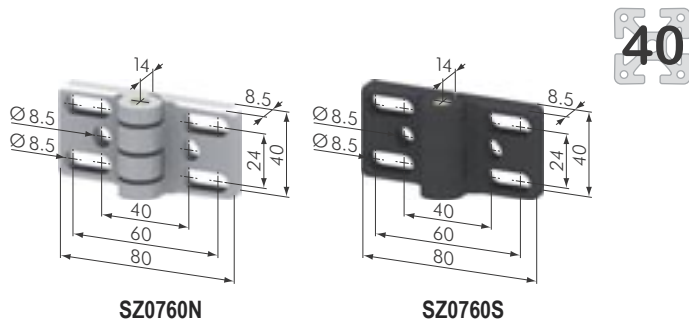
SZ8045S

**Application:** Support roller for sliding panels.

**Material:** roller: POM, black  
profile: aluminum, natural anodized

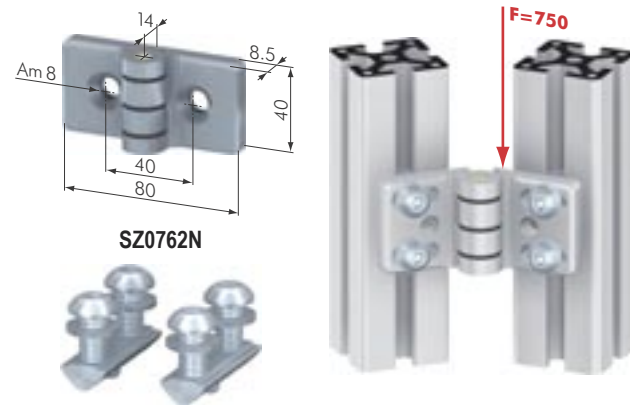
**Supply:** 1x special screw M 8  
2x spacer 12 x 18 x 12  
2x single groove bearing 6001  
1x t-nut M 8 / ball-type, slide-in  
1x SP5600N100 retaining profile  
2x t-nut M 8 / ball-type, push-in  
2x washer Ø 6 mm  
2x cap head screw M 8 x 35  
2x profile cap 40 x 40





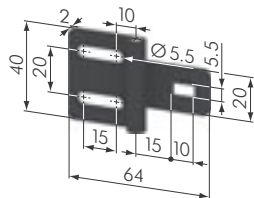
SZ0760N

SZ0760S

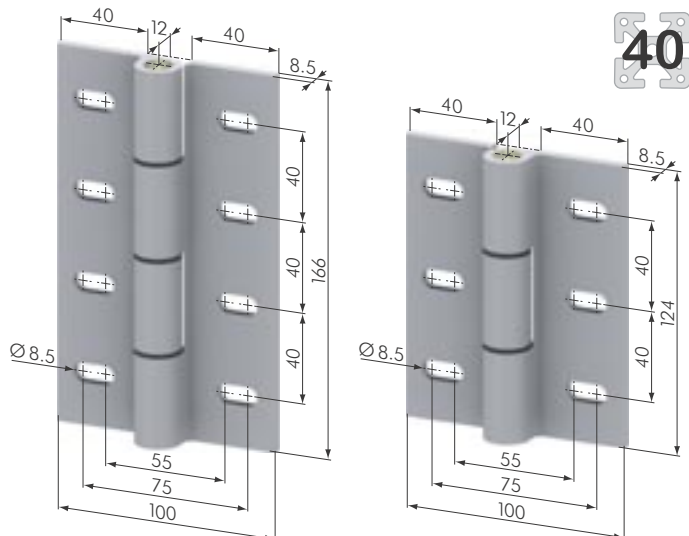


SZ0762N

SZ0788V



SZ0760V



SZ0766N

SZ0765N



Hinges 40		
Part No	Description	Weight
SZ0760N	Hinge 40, natural	83 g
SZ0760S	Hinge 40, black	84 g
SZ0761S	Hinge 40 GDZn, black	190 g
SZ0762N	Hinge 40, with countersink Am 8	104 g
SZ0788V	Fixing Set For Hinges 40	68 g

**Application:** A medium to heavy load hinge for machines and protective guardings.

**Material:** aluminum, natural anodized, black anodized or GDZn (zinc diecasting), black

**Supply:** 2x SS9900V anti-twist set screw

**Acc.:** SZ0788V: 2x special t-nut 2x M 8 / Kugel  
4x button head screw M 8 x 18  
4x washer Ø 8 mm



Hinge 40, steel		
Part No	Description	Weight
SZ0760V	Hinge 40, steel	23 g

**Application:** A medium load hinge for machines and protective guardings.

**Material:** steel, black



Hinges 40		
Part No	Description	Weight
SZ0765N	Hinge 40 / L 124, natural	
SZ0766N	Hinge 40 / L 166, natural	

**Application:** A medium to heavy load hinge for machines and protective guardings.

**Material:** aluminum, natural anodized

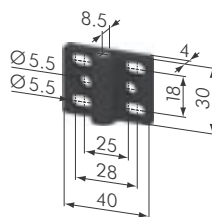
Hinges PA		
Part N°	Description	Weight
SZ0715S	Hinge 20/20 PA	11.5 g
SZ0720S	Hinge 20/20 PA, complete	28.5 g
SZ0716S	Hinge 30/20 PA	12.6 g
SZ0721S	Hinge 30/20 PA, complete	33.0 g
SZ0717S	Hinge 30/30 PA	13.9 g
SZ0723S	Hinge 30/30 PA, complete	29.3 g
SZ0718S	Hinge 40/30 PA	27.0 g
SZ0724S	Hinge 40/30 PA, complete	90.0 g
SZ0719S	Hinge 40/40 PA	29.1 g
SZ0725S	Hinge 40/40 PA, complete	92.5 g
SZ0787V	Fixing Set For Hinge 30 PA	

**Application:** door hinge for medium loads. These hinges are suitable to connect profiles from different profile ranges, like the hinge 40/30 PA that connects profiles 40 to profiles 30.

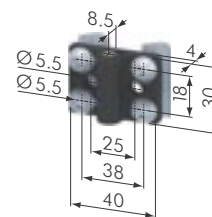
**Material:** PA, black

**Supply:** All hinges PA, complete are supplied with the appropriate fixing set. These fixing sets include all of the elements needed to connect both halves of the hinge with the respective profiles.

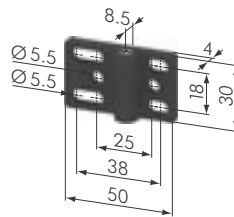
40  
30  
20



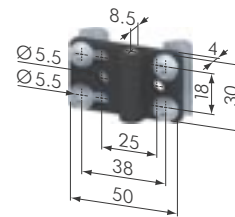
SZ0715S



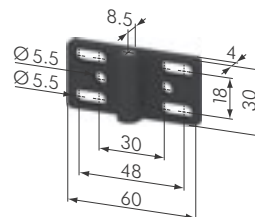
SZ0720S



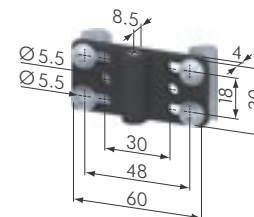
SZ0716S



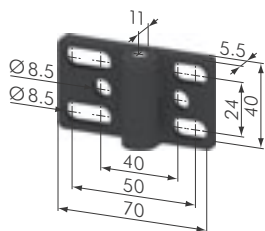
SZ0721S



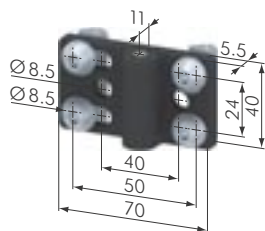
SZ0717S



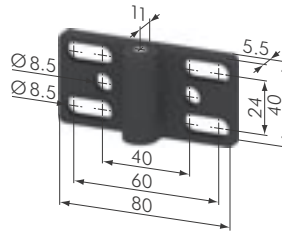
SZ0723S



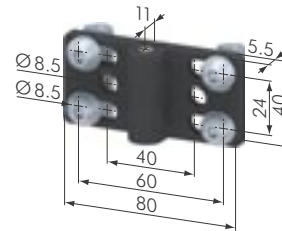
SZ0718S



SZ0724S



SZ0719S



SZ0725S

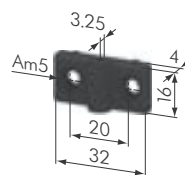
Hinges 20 PA		
Part N°	Description	Weight
SZ0705S	Hinge 20 PA, left	16 g
SZ0706S	Hinge 20 PA, right	16 g
SZ0707S	Double Hinge 20 PA	21 g
SZ0785V	Fixing Set For Hinges 20	8 g

**Application:** A medium to heavy load hinge for machines and protective guardings. By using one right and one left-hand hinge, a non-lift-off door can be made.

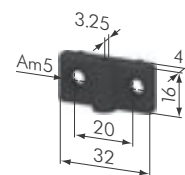
**Material:** PA, black

The fixing set SZ0785V is required twice for SZ0705S and SZ0706S, for SZ0707S three times.

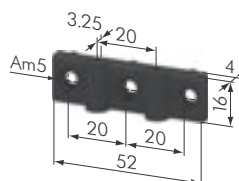
20



SZ0705S



SZ0706S



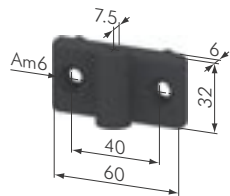
SZ0707S



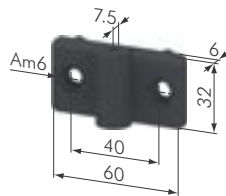
SZ0785V

40

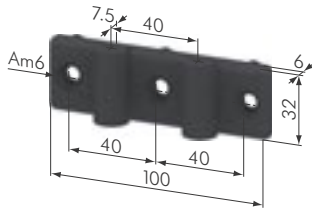
Hinges 32 PA		
Part No	Description	Weight
SZ0770S	Hinge 32 PA, left	21 g
SZ0771S	Hinge 32 PA, right	38 g
SZ0772S	Double Hinge 32 PA	21 g
SZ0789V	Fixing Set For Hinges 32	8 g



SZ0770S



SZ0771S



SZ0772S



SZ0789V

**Application:** A door hinge for machines and protective guardings, for light loads using profile range 40. The halves of hinge 32 PA can be combined with those of hinge 30 PA in order to connect profiles from different profile ranges.

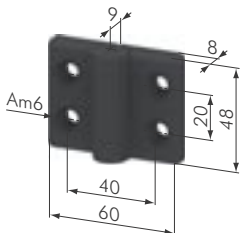
**Material:** PA, black

**Acc.:** SZ0789V: 1x countersink screw M 6 x 16, black  
1x t-nut M 6 steel / PA

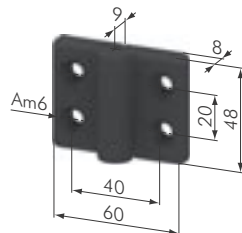
The fixing set SZ0789V is required twice for SZ0770S and SZ0771S, for SZ0772S three times.

40

Hinges 48 PA		
Part No	Description	Weight
SZ0773S	Hinge 48 PA, left	
SZ0774S	Hinge 48 PA, right	
SZ0791V	Fixing Set For Hinges 48	



SZ0773S



SZ0774S



SZ0791V

**Application:** A medium to heavy load hinge for machines and protective guardings.

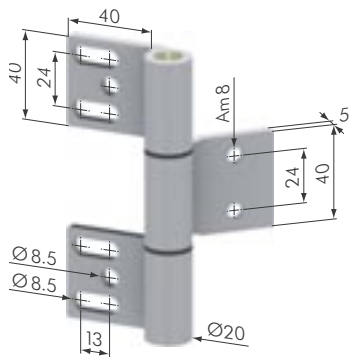
**Material:** PA, black

**Acc.:** SZ0791V: 2x countersink screw M 6 x 20, black  
1x double t-nut 20 M 6

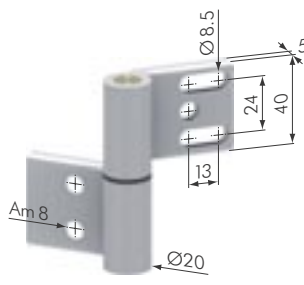
Two of the SZ0791V fixing sets are required in order to mount the hinge onto a profile.

40

Hinges Al		
Part No	Description	Weight
SZ8012N	Hinge Al, with 12 mm bolt, 2-parts	36 g
SZ8013N	Hinge Al, with 12 mm bolt, 3-parts	54 g



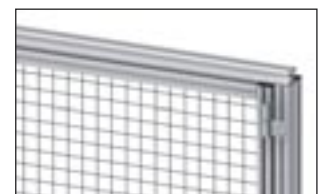
SZ8013N



SZ8012N

**Application:** A medium to heavy load hinge for machines and protective guardings. Gap adjustment: 5 - 13 mm

**Material:** aluminum, natural anodized

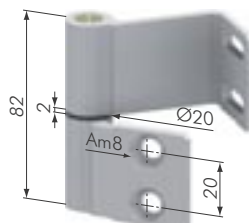


Hinge Al		
Part N°	Description	Weight
SZ8014N	Hinge, Al	

**Application:** A medium to heavy hinge load for machines and protective guardings. Gap adjustment: 5- 13 mm

**Material:** aluminum, natural anodized

40



SZ8014N



Hinges 30 PA		
Part N°	Description	Weight
SZ0775S	Hinge 30 PA, left	16 g
SZ0776S	Hinge 30 PA, right	21 g
SZ0777S	Double Hinge 30 PA	16 g
SZ0786V	Fixing Set For Hinges 30	8 g

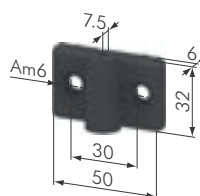
**Application:** A door hinge for machines and protective guardings, for light loads using profile range 30. The halves of hinge 30 PA can be combined with those of hinge 32 PA in order to connect profiles from different profile ranges.

**Material:** PA, black

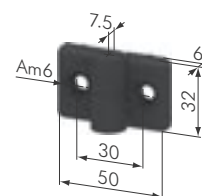
**Acc.:** SZ0786V: 1x countersink screw M6 x 14, zinc-plated  
1x t-nut M6 steel / PA

Two of the SZ0786V fixing sets are required for SZ0775S and SZ0776V, and three are required for SZ0777S.

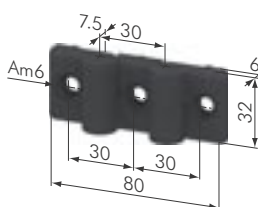
30



SZ0775S



SZ0776S



SZ0777S



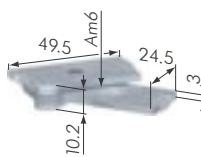
SZ0786V

Hinge 30 VA		
Part N°	Description	Weight
SZ0730V	Hinge 30 VA, complete	64 g
SZ0790V	Fixing Set For Hinge 30 VA	

**Application:** A medium to heavy load hinge for machines and guardings.

**Material:** stainless-steel

30



SZ0730V



SZ0790V



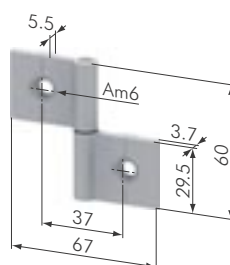
Hinge 30		
Part N°	Description	Weight
SZ0735N	Hinge 30, natural	40 g
SZ0786V	Fixing Set For Hinge 30	8 g

**Application:** An aesthetically appealing hinge used in the gap between the door and the frame.

**Material:** aluminum, natural anodized

**Acc.:** SZ0786V: 1x countersink screw M6 x 14, black  
1x t-nut M6 steel / PA  
Two of the SZ0786V fixing sets are required in order to mount the hinge onto a profile.

30

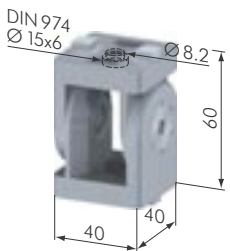


SZ0730V



SZ0786V





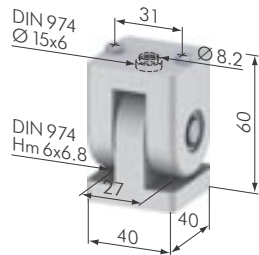
**SZ1020N**



**SZ1020S**



**SZ1021N**



**SZ1050S**



**SZ1022N**



**SZ1023N**

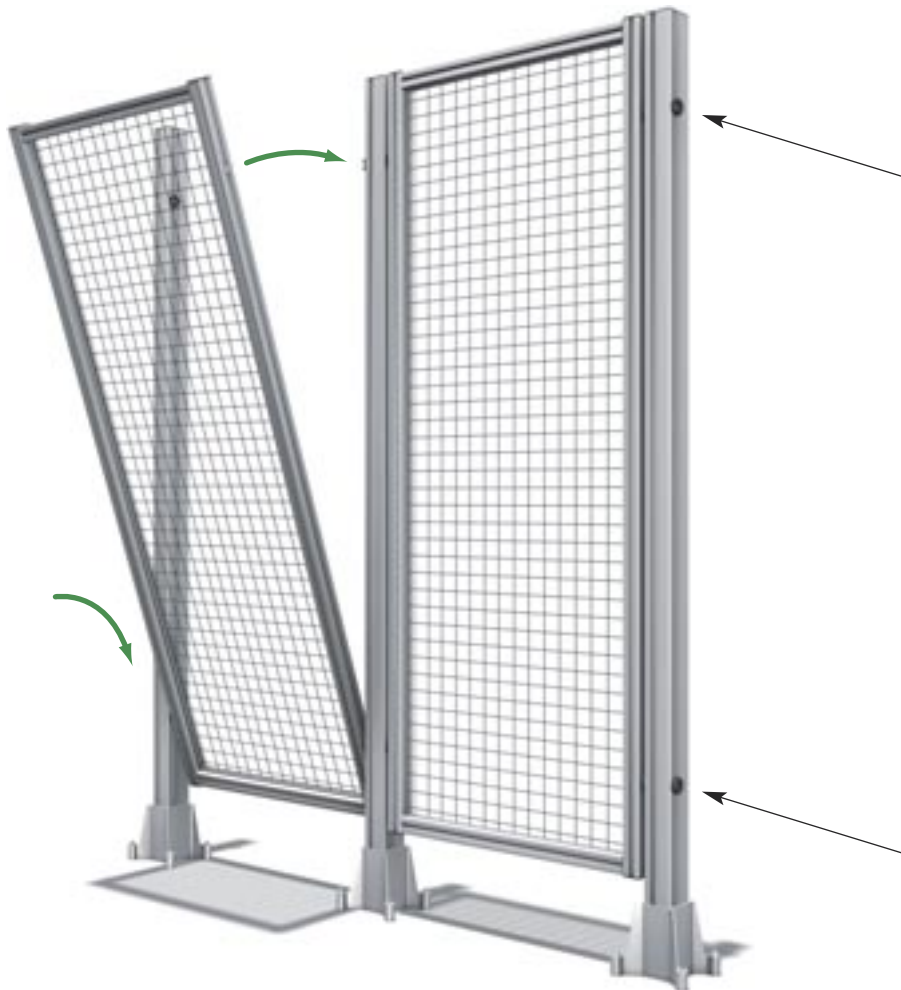
Heavy Duty Joints 40		
Part No	Description	Weight
SZ1020N	Heavy Duty Joint 40 x 40, natural	293 g
SZ1020S	Heavy Duty Joint 40 x 40, black	293 g
SZ1021N	Heavy Duty Joint 40 x 40, with clamp lever	335 g
SZ1050N	Heavy Duty Joint 40 x 40, massive, natural	
SZ1022N	Heavy Duty Joint 40 x 80, natural	480 g
SZ1023N	Heavy Duty Joint 40 x 80, with clamp lever	690 g

**Application:** For connecting two profiles at any angle up to 180° (± 90°).  
 The clamp lever facilitates easy positioning. For heavy duty joints without a clamp lever, the angle can be set by tightening the hexagon nuts.

**Material:** heavy duty joints: GDZn (zinc diecasting)  
 heavy duty joint, labored: aluminum, natural anodized



Mounting Elements According To Machinery Directive 2006/42/EG



Mounting element is pivoted into the hanger.



Fixing screw slides under the latch.

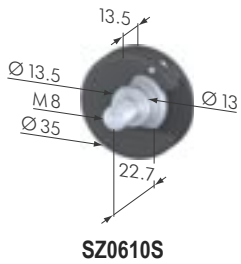


Fixing screw in end position. The latch secures and clamps the fixing screw.



To unlock the element push the latch through the bore opening.

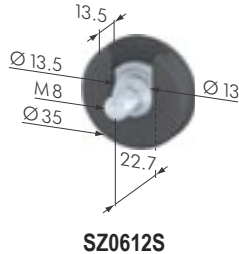
**40**



**SZ0610S**



**SZ0611S**



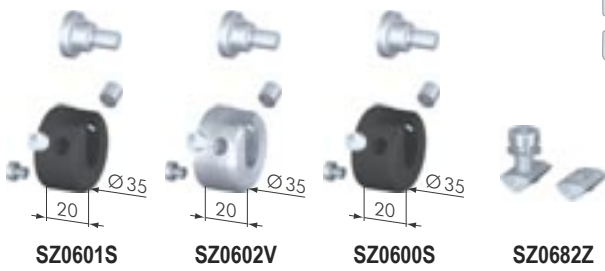
**SZ0612S**

<b>Hangers 40 V and 40 U</b>		
Part No	Description	Weight
SZ0610S	Hanger 40 V Fastener R, black	
SZ0611S	Hanger 40 V Fastener L, black	
SZ0612S	Hanger 40 U, black	

**Application:** For tool-free mounting of frame elements to support leg profiles for protection and separating walls.  
According to machinery directive 2006 / 42 / EG.

**Material:** casing: aluminum, black anodized  
latch, screws: steel, zinc-plated

**40**



**SZ0601S**

**SZ0602V**

**SZ0600S**

**SZ0682Z**

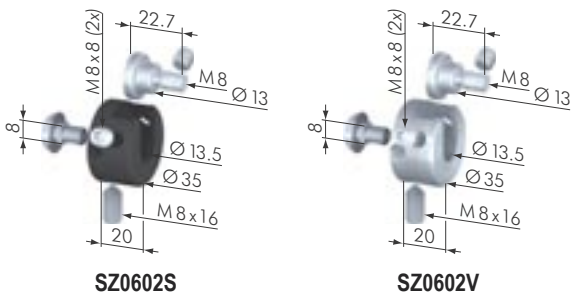
<b>Hangers 40</b>		
Part No	Description	Weight
SZ0601S	Hanger 40 PA	40 g
SZ0600V	Hanger 40, natural	115 g
SZ0600S	Hanger 40, black	115 g
SZ0682Z	Fixing Set For Hangers 40	28 g

**Application:** For hanging frame elements to vertical profiles to make protective guardings or removable panels.  
Mounting dimension per side: 20.5 - 23.0 mm

**Material:** SZ0601S: POM, black  
SZ0600V: steel, zinc-plated  
SZ0600S: steel, zinc-plated black

**Acc.:** SZ0682Z: 2x t-nut M8 / ball-type, push-in  
1x cap head screw M8 x 12, zinc-plated  
1x washer Ø8 mm

**40**



**SZ0602S**

**SZ0602V**

<b>Hangers 40 SVPS</b>		
Part No	Description	Weight
SZ0602S	Hanger 40 SVPS, black	126.3 g
SZ0602V	Hanger 40 SVPS, natural	126.3 g

**Application:** For hanging frame elements to vertical profiles to make protective guardings or removable panels.  
Mounting dimension per side: 20.5 - 23.0 mm

**Material:** SZ0602S: steel, zinc-plated black  
SZ0602V: steel, zinc-plated

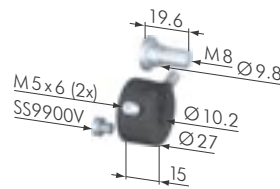
### Hangers 30

Part N°	Description	Weight
SZ0604S	Hanger 30, black	60 g
SZ0604V	Hanger 30, natural	60 g
SZ0683Z	Fixing Set For Hangers 30	24 g

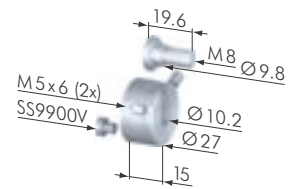
**Application:** For hanging frame elements to vertical profiles to make protective guardings or removable panels.

**Material:** SZ0604S: steel, black zinc-plated  
SZ0604V: steel, zinc-plated

**Acc.:** SZ0683Z: 2x t-nut M 6 / ball-type, push-in  
1x cap head screw M 6 x 10, zinc-plated  
1x washer Ø 6 mm



SZ0604S



SZ0604V



SZ0683Z

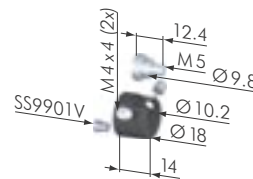
### Hangers 20

Part N°	Description	Weight
SZ0603S	Hanger 20, black	26 g
SZ0603V	Hanger 20, natural	26 g
SZ0684Z	Fixing Set For Hangers 20	6 g

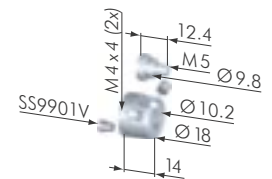
**Application:** For hanging frame elements to vertical profiles to make protective guardings or removable panels.

**Material:** SZ0603S: steel, black zinc-plated  
SZ0603V: steel, zinc-plated

**Acc.:** SZ0684Z: 2x t-nut mini M 5 / ball-type, push-in  
1x cap head screw M 5 x 10, zinc-plated  
1x washer Ø 5 mm



SZ0603S



SZ0603V



SZ0684Z

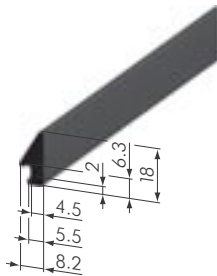


Panel hanger open.

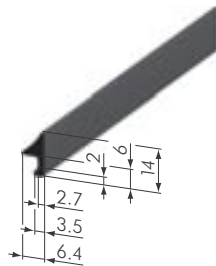


Fixing screw slides into the hanger and is secured by tightening both Allen set screws.

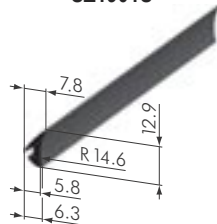




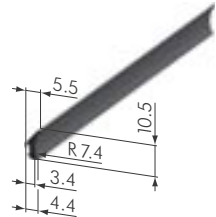
SZ1901S



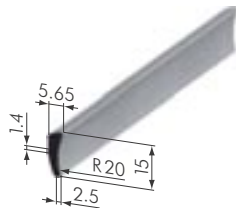
SZ1900S



SZ1903S



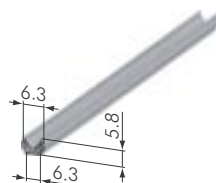
SZ1902S



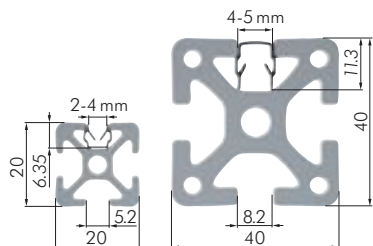
SZ1916N



SZ1800N



SZ1802N



40  
30  
20

**Sealing Rubbers**

Part No	Description	Weight
SZ1901S	Sealing Ruber 40 4 mm	60 <sup>g</sup> / <sub>m</sub>
SZ1900S	Sealing Ruber 40 6 mm	30 <sup>g</sup> / <sub>m</sub>
SZ1903S	Sealing Ruber 30 4 mm	50 <sup>g</sup> / <sub>m</sub>
SZ1902S	Sealing Ruber 30 6 mm	20 <sup>g</sup> / <sub>m</sub>

**Application:** For sealing flat panels in a frame. Provides an anti-vibration seal. Not suitable for wire mesh panels.

**Material:** EPDM  
deterioration and ozone resistant  
oil and water resistant

40

**Wedge Sealing 4**

Part No	Description	Weight
SZ1916N	Wedge Sealing 4	

**Application:** For sealing 4 mm panels in a profile frame. Provides an anti-vibration seal. Not suitable for wire mesh panels.

**Material:** polypropylene, natural color

40

**Edging and Covering Strips**

Part No	Description	Weight
SZ1800N	Edging And Covering Strip 40, natural	78 g
SZ1800S	Edging And Covering Strip 40, black	78 g
SZ1802N	Edging And Covering Strip 20, natural	37 g
SZ1802S	Edging And Covering Strip 20, black	37 g

**Application:** For covering the profile t-slot or for clamping sheet elements. Suitable for panel thicknesses between 2-4 mm (SZ1802) and 4-5 mm (SZ1800).

**Material:** polypropylene, natural or black

**Supplied Length:** 3000 mm



**Slot Profiles 40**

Part N°	Description	Weight
SZ1820N	Slot Profile 40, natural	
SZ1820S	Slot Profile 40, black	

**Application:** For covering an 8 mm t-slot.

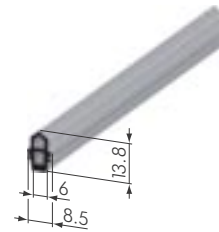
**Material:** polypropylene, natural or black  
hardness 70° Shore A  
oil and water resistant


**SZ1820S**
**Door Sealing 20**

Part N°	Description	Weight
SZ1905N	Door Sealing 20	67.5 <sup>g</sup> /m

**Application:** For sealing protection wall elements and sliding doors.

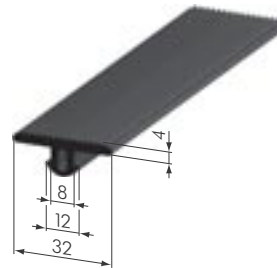
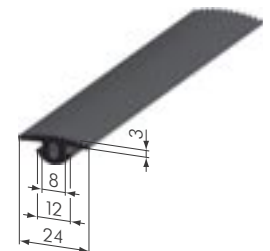
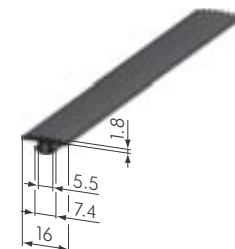
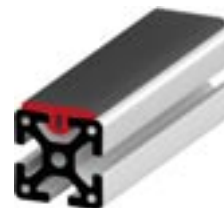
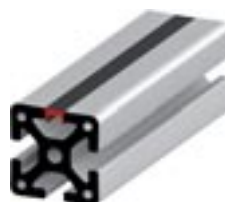
**Material:** EPDM  
deterioration and ozone resistant  
oil and water resistant

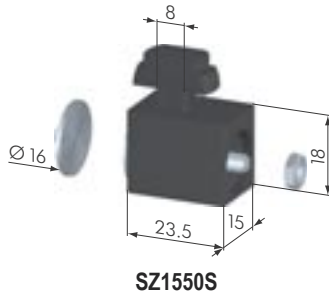

**SZ1905N**
**Cover Profile**

Part N°	Description	Weight
SZ1912S	Cover Profile 16 x 2.2	60 <sup>g</sup> /m
SZ1914S	Cover Profile 24 x 3	140 <sup>g</sup> /m
SZ1910S	Cover Profile 32 x 4	160 <sup>g</sup> /m

**Application:** Suitable for covering profile surfaces. The rubber material provides a non-slip surface.

**Material:** NBR, black  
hardness 70° Shore A  
oil and water resistant


**SZ1910S**

**SZ1914S**

**SZ1912S**




**Magnetic Catch Plates**

Part No	Description	Weight
SZ1551S	Magnetic Catch Plate 2 mm	20 g
SZ1552S	Magnetic Catch Plate 4 mm	
SZ1550S	Magnetic Catch Plate 6 mm	
SZ1553S	Magnetic Catch Plate 8 mm	

**Application:** Suitable for swing doors and windows. Steel stop plate is secured by using an industrial adhesive. Suitable for a panel thickness of max 8 mm. Adhesive force: 5 N



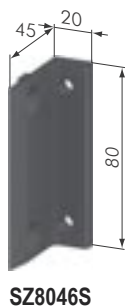
**Door Stop, top, round (excentric)**

Part No	Description	Weight
SZ8042S	Door Stop, top, round (excentric)	94 g

**Application:** Upper door stop with excentric adjustment and o-ring cushioning.

**Material:** POM, black

**Supply:** 1x cap head screw M 8 x 45  
1x t-nut M 8 / ball-type, slide-in



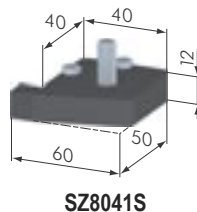
**Door Stop**

Part No	Description	Weight
SZ8046S	Door Stop	

**Application:** Universal applicable door stop for protection and separating doors.

**Material:** POM, black

**Zubehör:** 2x countersink screw M 6 x 16  
2x t-nut M 8 / ball-type, slide-in

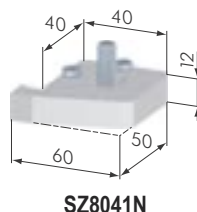


**Door Stops, bottom**

Part No	Description	Weight
SZ8041S	Door Stop, bottom (POM)	43 g
SZ8041N	Door Stop, bottom (aluminum)	

**Material:** POM, black or aluminum, natural anodized

**Supply:** 2x SS9900V anti-twist set screw  
1x countersink screw M 8 x 25

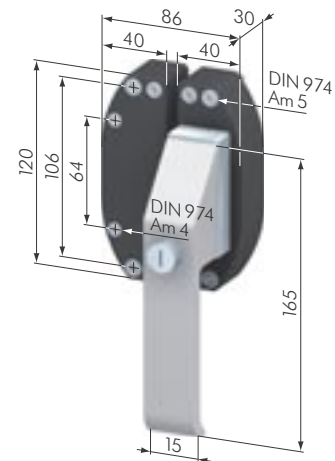


Protection Wall Lock		
Part No	Description	Weight
SZ8018S	Protection Wall Lock	

**40**

**Application:** Locking mechanism for swing or sliding doors. Distance dimension: 6 mm

**Material:** POM, black  
aluminum, natural anodized  
steel, zinc-plated


**SZ8018S**

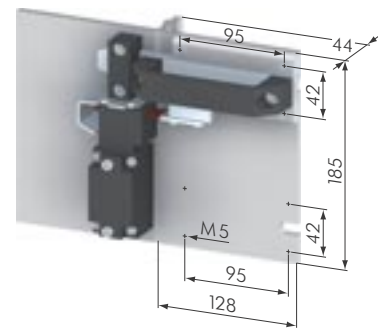
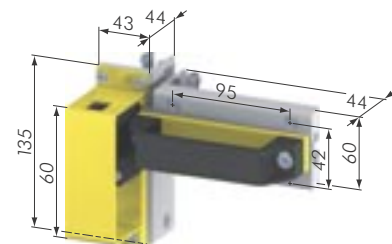
Protection Wall Locking Mechanisms		
Part No	Description	Weight
SZ8016V	Protection Wall Locking Mechanism	
SZ8017V	Protection Wall Locking Mechanism w/ Transponder	

**40**

**Application:** For locking protection wall doors.

**Material:** aluminum, natural anodized  
SZ8016V switch: Euchner NZ1VZ-538E-MC1233

**Supply:** Complete with fixing set.

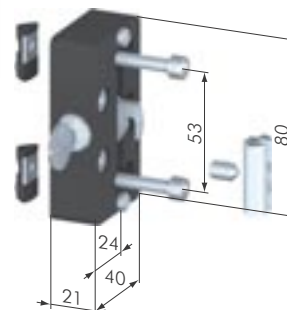
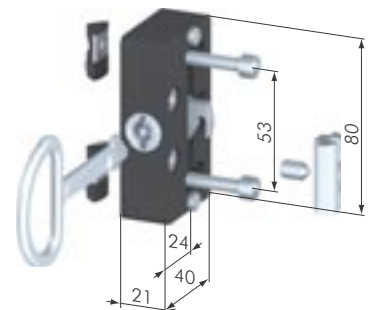

**SZ8016V**

**SZ8017V**

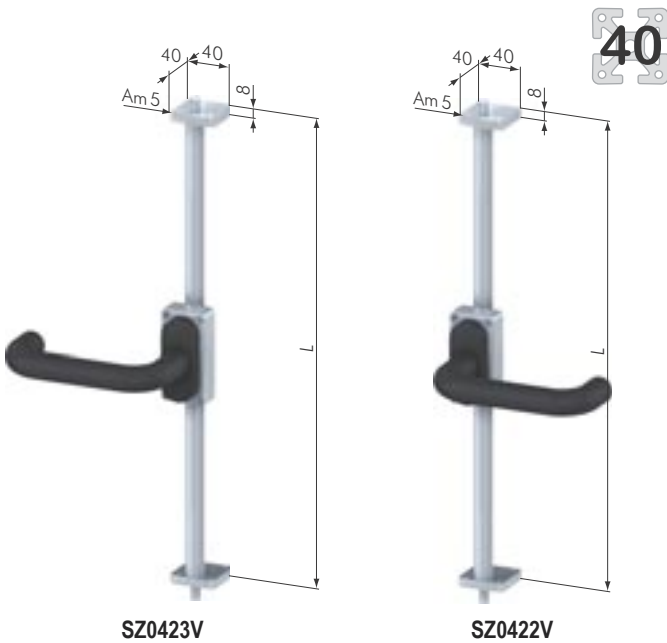

Door Locks		
Part No	Description	Weight
SZ0411S	Door Lock	217 g
SZ0410S	Cylinder Door Lock	154 g

**40**

**Application:** Locking mechanism for swing or sliding doors. Fitting can be either right or left-sided. The anti-twist security can be fitted in several ways.

**Supply:** Complete with key, latching plate and fixing set.  
2x cap head screw M 6 x 25, DIN 912  
2x t-nut M6 steel / PA  
1x special t-nut with grub screw


**SZ0410S**

**SZ0411S**

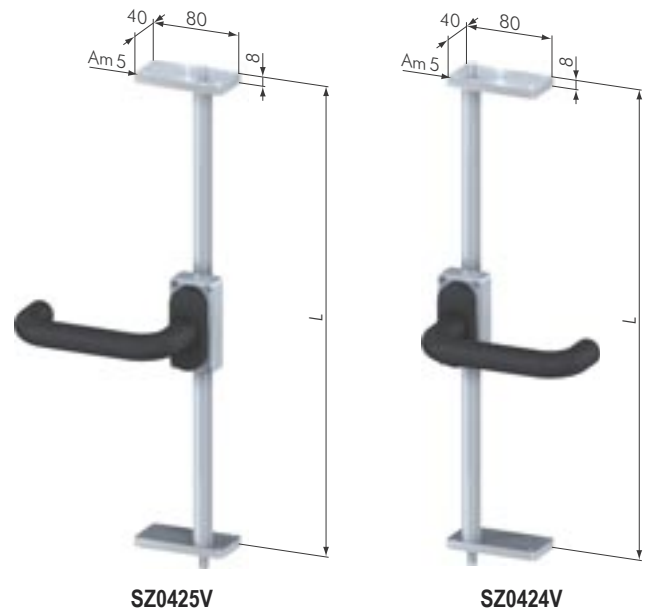


SZ0423V

SZ0422V

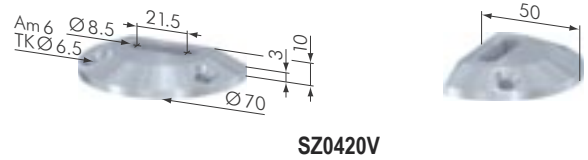


Door Latches		
Part No	Description	Weight
SZ0420V	Catch Plate, door latch	135 g
SZ0422V	Door Latch 40 x 40, right	
SZ0423V	Door Latch 40 x 40, left	
SZ0424V	Door Latch 40 x 80, right	
SZ0425V	Door Latch 40 x 80, left	



SZ0425V

SZ0424V



SZ0420V



SZ8019V

SZ8020V

SZ0450V



Protection Wall Latches		
Part No	Description	Weight
SZ8019V	Protection Wall Latch, for double doors	
SZ8020V	Protection Wall Latch, for single doors	
SZ0450V	Set Of Shoot Bolts	

**Application:** For locking single or double doors. Also mountable without any machining (SZ8019V, SZ8020V).

**Material:** aluminum, natural anodized  
fixing plate, t-nut profile: steel, zinc-plated  
handle: PA, black

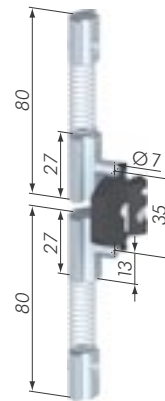
**Acc.:** 1x profile 16 x 40 or 16 x 80  
1x catch plate, door latch, top  
1x catch plate, door latch, bottom  
1x door latch  
1x angle 40 x 60, with accessories  
1x fixing plate, top



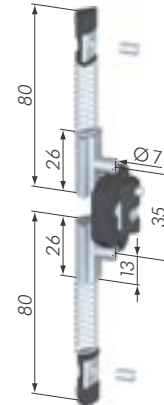
**Spring Door Catches**

Part No	Description	Width	Weight
SZ0402Z	Spring Door Catch 40	9 mm	73 g
SZ0403Z	Spring Door Catch 30	9 mm	50 g
SZ0401Z	Spring Door Catch 20	6.5 mm	16.1 g

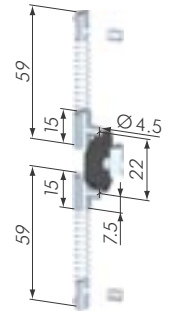
**Application:** Catch for swing doors.



SZ0402Z



SZ0403Z



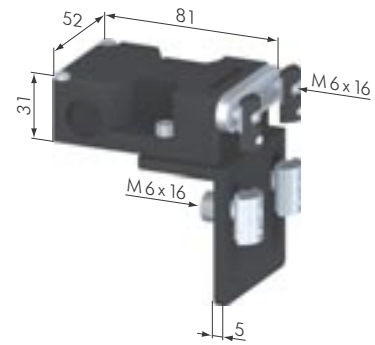
SZ0401Z

**Safety Interlocks**

Part No	Description	Weight
SZ0510S	Safety Interlock, with one contact	260 g
SZ0512S	Safety Interlock, with two contacts	260 g

**Application:** For electronic monitoring of doors. Can be mounted on the left or right side. The closing force amounts to 15 N, the holding force 5 N.

**Supply:** Complete with fixing set.



SZ0512S



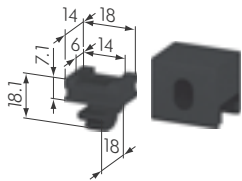
40  
30



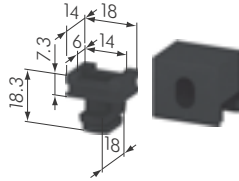
SZ1540S



SZ1510S



insert for SZ1540S



insert for SZ1510S

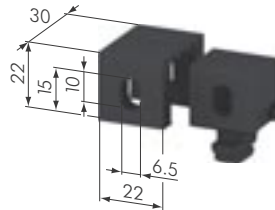
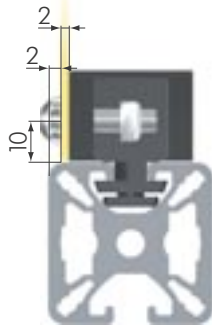
Fixing Blocks		
Part N°	Description	Weight
SZ1540S	Fixing Block 30 vario	14 g
SZ1510S	Fixing Block 40 vario	27 g
SZ1512S	Fixing Block 40 / 2	19 g
SZ1514S	Fixing Block 40 / 4	16 g
SZ1516S	Fixing Block 40 / 6	14 g
SZ1518S	Fixing Block 40 / 8	10 g

**Application:** SZ1512S is to be used for mounting 2 mm, SZ1514S for 4 mm, SZ1516S for 6 mm and SZ1518S for 8 mm panels to profiles with an 8 mm t-slot. SZ1540S and SZ1510S facilitate the entire 2 - 8 mm range of panels. An M6 screw is required for installation.

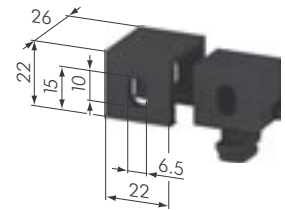
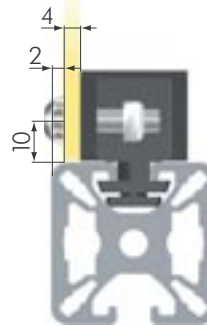
**Material:** PA, black

**Acc.:** SZ1510S fixing block 40 Vario and SZ1540S fixing block 30 Vario are complete sets.

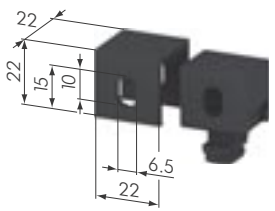
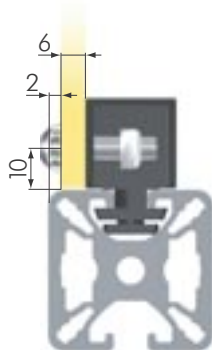
They comprise four different sized, removable caps to accommodate panels with 2 - 8 mm thickness.



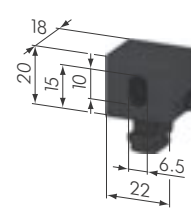
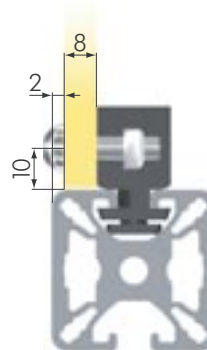
SZ1512S



SZ1514S



SZ1516S



SZ1518S